



PRESSURISED SPIN CLEAR POND FILTER

**PFC-5000 / 8000 / 12000
/ 20000 / 25000 / 30000 / 50000**

 **FILTRE DE BASSIN PRESSURISE DE NETTOYAGE ROTATIF OUTPUT CONTROL DIAL**

 **FILTRO PER LAGHETTO PRESSURIZZATO CON ROTAZIONE**

 **FILTRO PRESURIZADO PARA ESTANQUES CON REMOCIÓN MEDIANTE GIROS CONTAMINANTES**

 **SPIN CLEAR TEICH-DRUCKFILTER**





To ensure your new pond filter is set up and running correctly, and to prevent any accidental damage or injury, please read and follow the below instructions carefully before using your product.

SAFETY

IMPORTANT! Disconnect the mains electricity supply before attempting any installation / maintenance of any kind. Do not attempt to modify this unit in any way and only use the recommended parts for replacement.

- The PFC unit should never be run dry as this will cause the unit to overheat and cause permanent damage.
- All connections must be earthed.
- The power cord of this appliance cannot be replaced; if the cord is damaged, the appliance should be discarded. Never cut the cord.
- Do not connect to any voltage other than that stated.
- Do not place in liquids other than water.
- Do not use with water above 90°F or 30°C.
- Do not carry or pull the unit by its electrical cable.
- Do not use this unit if it has a damaged cord, if it is malfunctioning or it is dropped or damaged in any manner
- Do not attempt to modify this unit in any way and only use attachments and the recommended parts for replacement recommended by the manufacturer.
- Before installing, maintaining or handling your equipment, or before placing your hands in your pond, ensure that the unit is disconnected from the electricity supply.
- Always disconnect any electrical devices when not in use.
- Carefully examine your pond system after installation. Do not connect the unit to the mains if there is water on any parts not intended to be wet.
- Do not look directly at the UV light when it is operational.
- Before operating your unit observe that water is flowing through it - the UV requires constant flow to avoid overheating.



- To avoid injury, do not touch hot or moving parts such as, but not limited to UV bulbs or impellers.
- During maintenance ensure all O-rings are present and intact.
- If the appliance shows any signs of water leakage or the RCD unit switches off, disconnect the unit from the power supply and consult the retailer where you purchased the unit.
- Do not install or store this unit where it will be exposed to temperatures near to 0°C / 32°F. In freezing conditions, remove and store the unit in a sheltered area ensuring all water has been drained from the filter.
- Do not bury the cord for this unit. Ensure it does not cause a trip hazard or it at risk from damage from lawn mowers, strimmers or other garden equipment.
- Ensure the PFC is located at least 2 metres from the pond edge.

Please note – this appliance can be used by children aged from 8 years and above and persons with reduced physical, sensory or mental capabilities or lack of experience and knowledge, provided they are given supervision and instruction concerning use of the appliance and understand the hazards involved. Children must not play with the appliance. Any maintenance must not be made by children without supervision.

OUTLET SYMBOLS



WATER INLET POINT



WATER OUTLET POINT



SELF CLEANING POINT



ELECTRIC

This unit comes complete with a generous supply of 3 core cable, however should any additional cable be required, the use of an approved waterproof cable connector with a proper rating is essential. A cord rated for less amperes or watts than the appliance rating may overheat.

Please Ensure:

- The power supply must be earthed and fused at 3amps.
- You regularly inspect the cable for damage and deterioration.
- Do not connect to any voltage other than that stated.
- You consult a qualified electrician if in doubt about any aspects of wiring.
- A residential current device (RCD) is used for additional safety
- You have complied with Local Electricity Authority regulations if permanently installing to the mains supply.

Please Ensure: The power supply must be earthed and fused at 3amps. Regularly inspect the cable for damage and deterioration. Consult a qualified electrician if in doubt about any aspects of wiring.

CHOOSING YOUR FILTER LOCATION

- The pressure of your unit depends on many factors such as location (height and distance from your pond), power and location of the connected pump (L/H), pond depth, stock density and hose dimensions. To enhance pond water quality, we recommend considering these factors to ensure maximum efficiency and avoid low return pressure.
- If positioning your filter above ground, ensure it is located at least 2 metres from your pond edge. If your filter will be sunk into the ground, you can position the unit closer to the water.
- Place your filter on a level and sturdy surface that is well ventilated and not at risk of flooding.
- To avoid overheating, ensure the filter is not covered and is positioned away from direct sunlight.
- Position the filter so the hosing connected to the Water Inlet Point and Water Outlet Points is not bent or obstructed.



- The filter is suitable for burying up to the head rim of the unit. Make sure access to the body of the system is possible for maintenance purposes. Burying the unit will help reduce the distance between the filter and the pond and provide higher return water pressure.

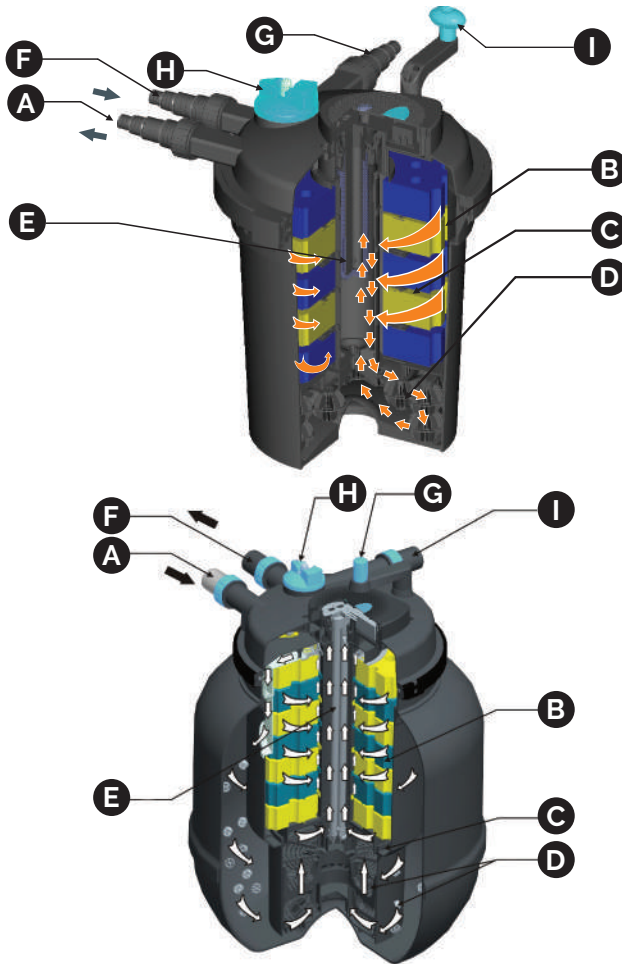
INSTALLATION & USE

Please read the below instructions carefully before beginning to set up your filter. **DO NOT CONNECT THE UNIT TO THE MAINS UNTIL SET UP IS COMPLETE AND UNIT IS FILLED WITH WATER.**

- 1. Prior to installing the unit**, examine the quartz sleeve and UV bulb to make sure these have not been damaged in transportation (see maintenance section). Handle with care. Do not hold UV bulb with bare hands as this can affect performance.
- 2. Connect the required attachments** - Choose the required hosetails (dependent on your flexible hose dimensions) and attach to the filter (utilise nut and o-ring in tandem to seal tight). On stepped hosetails if using a hose larger than the smallest dimension, you will need to cut down the hosetails to avoid restricting the flow of water.
- 3. Position the filter** - unless you are burying the unit, ensure that the filter is placed adjacent to your pond (at least 2 metres away from the water).
- 4. Connect your flexible hose to the filter** - connect your flexible hose to the hosetails. Safely connect using either jubilee / wire clips to ensure this is water tight. Your pump (not included) should be attached to the 'Water Inlet Point'. The 'Water Outlet Point' should direct water either back into your pond or to a waterfall adjacent to the pond. Ensure the water direction knob is pointed towards your 'Water Inlet Point' and 'Water Outlet Point'.
- 5. Connect the filter to the mains** - Connect the unit to the mains using a residual current device (RCD) for additional safety.
- 6. Switch on your pump** - Switch on your pump and visually inspect that you have the expected water flow through the filter. Visually check that you have no leakage.
- 7. Switch on your filter at the mains** - now that you have visually checked that the unit is being supplied with the required flow of water you can turn on the UV operation by switching on the unit at the mains.



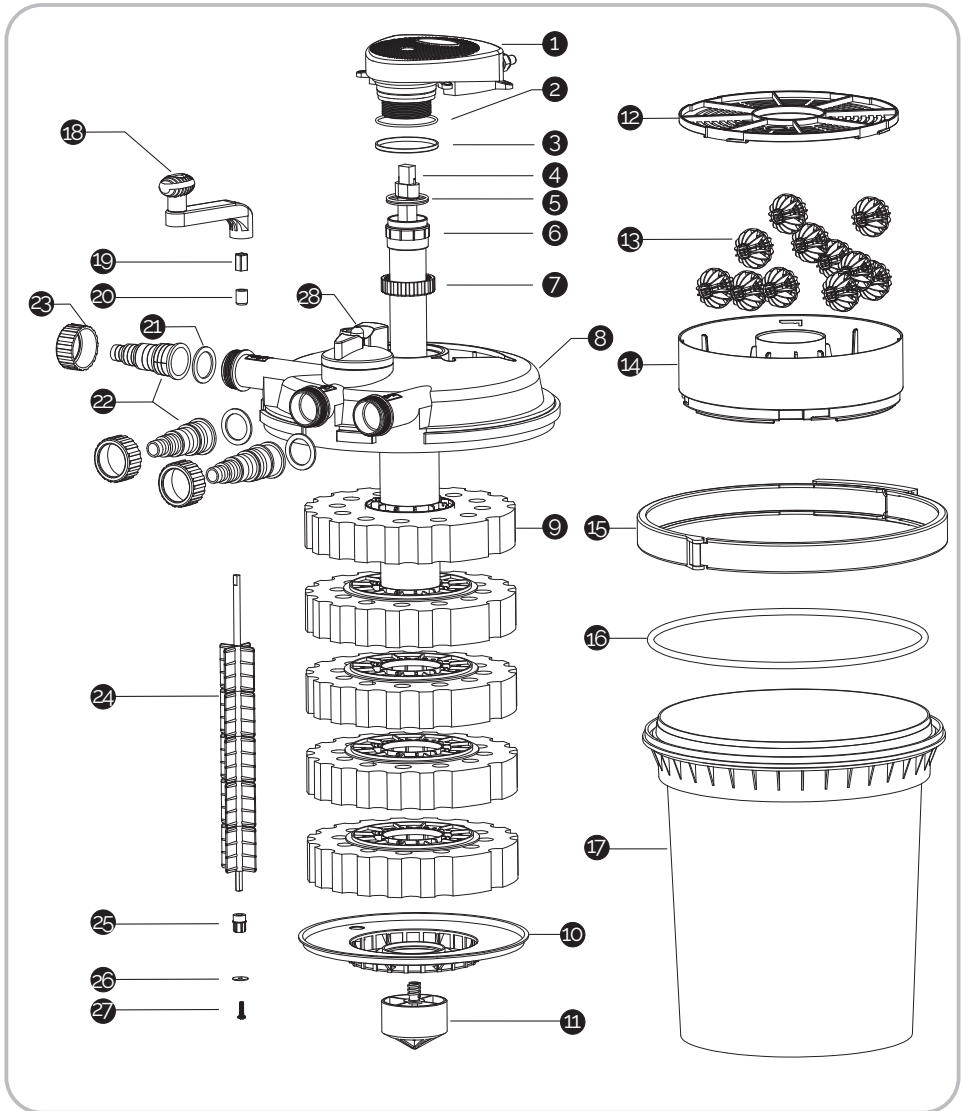
PRODUCT DIAGRAM



A	Water Inlet Point - connects to pond pump
B	Vortex System - centrifugal effect breaks down dirty water
C	Mechanical Filtration
D	Biological Filtration
E	UV Bulb - clarification / sterilisation of water
F	Water Outlet Point - connects to water return
G	Spin Clear Point - maintenance and waste drainage
H	Water Direction Knob - switches between normal and spin clear operation
I	Spin Clear Handle - spins and squeezes the filter foams



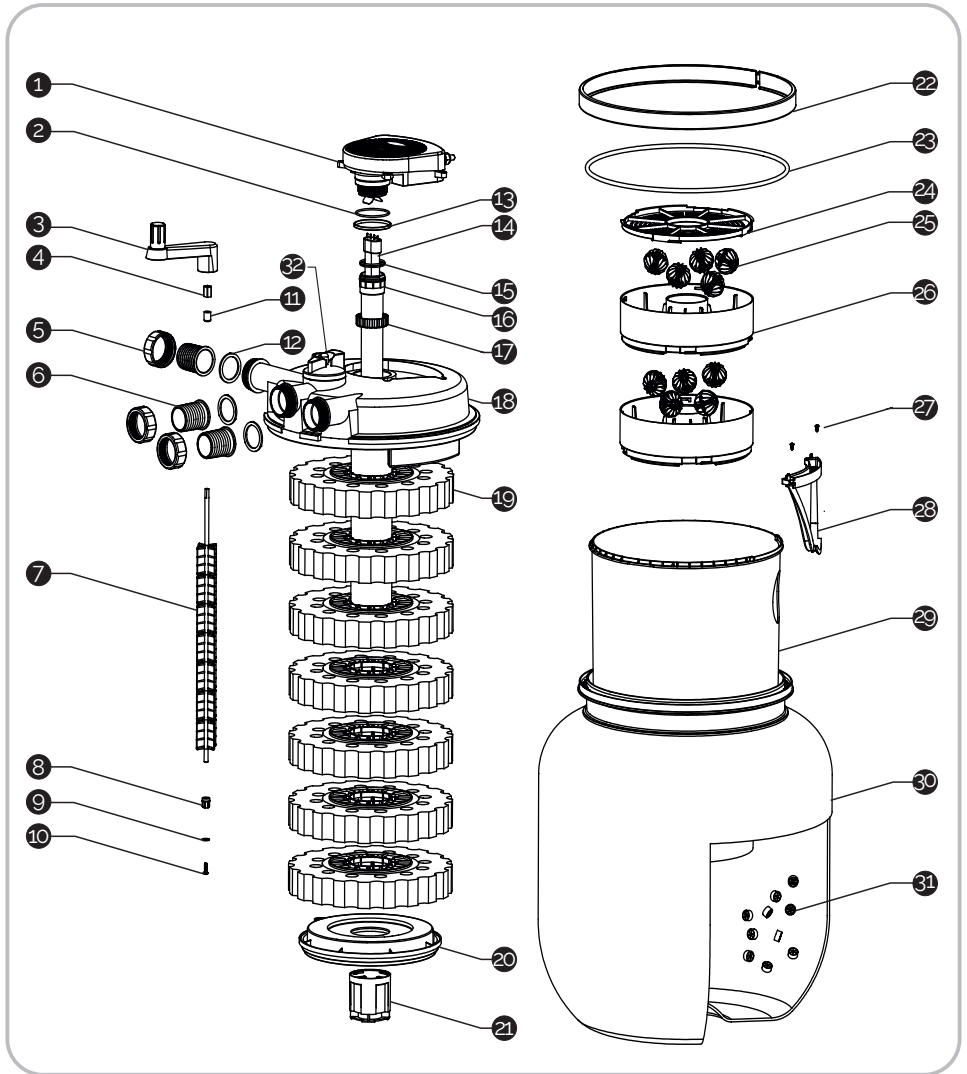
PARTS DIAGRAM



1	UV HEAD COVER	8	PFC LID	15	HEAD CLASP	22	HOSETAILS
2	O-RING	9	SPONGES	16	MAIN HEAD O-RING	23	OUTLET NUT
3	UV SLEEVE	10	FILTER PLATE	17	PFC BODY	24	DISPLAY ROD
4	UV LAMP	11	PLATE HOLDER	18	HANDLE KNOB	25	ROD BEARING
5	UV O-RING	12	MEDIA PLATE	19	HANDLE SHAFT	26	ROD WASHER
6	UV QUARTZ	13	BIO BALLS	20	HANDLE BEARING	27	ROD SCREW
7	UV QUARTZ NUT	14	MEDIA BASKET	21	HOSETAIL O-RING	28	OUTPUT CONTROL DIAL



PARTS DIAGRAM PFC-50000



1	UV HEAD COVER	9	ROD WASHER	17	UV QUARTZ NUT	25	BIO BALLS
2	O-RING	10	ROD SCREW	18	PFC LID	26	MEDIA BASKET
3	HANDLE KNOB	11	HANDLE BEARING	19	SPONGES	27	DIVERTER SCREWS
4	HANDLE SHAFT	12	HOSETAIL O-RING	20	FILTER PLATE	28	DIVERTER PLATE
5	OUTLET NUT	13	UV SLEEVE	21	PLATE HOLDER	29	INTERNAL CONTAINER
6	HOSETAILS	14	UV LAMP	22	HEAD CLASP	30	PFC BODY
7	DISPLAY ROD	15	UVO-RING	23	MAIN HEAD O-RING	31	K MEDIA
8	ROD BEARING	16	UV QUARTZ	24	MEDIA PLATE	32	OUTPUT CONTROL DIAL



UVC OPERATION

- Always ensure that the filter has water flowing through the unit prior to operating the UV.
- Never look directly at the UV light when operational.
- Check that the UV is operational visually using the UV indicator.
- Never operate the UV lamp outside its housing.
- Never operate the UV lamp in a housing that's defective.

MAINTENANCE

To ensure optimal performance and that your unit functions correctly, regular maintenance is essential. Failure to do so may result in damage to your unit and may invalidate your warranty.

We recommend that a regular cleaning and maintenance schedule is followed to ensure responsible fishkeeping. Depending on water volume and stocking levels, regular cleaning of the filter media, foams, and inlet/outlet pipework will help ensure that the product works efficiently and your pond remains healthy.

For further maintenance guidance, please see the table and additional information below:

	1 MONTH	3 MONTHS	6 MONTHS	ANNUALLY
All Pipework	Clean & Inspect			
Hosing				Clean & Inspect
O-rings	Clean & Inspect	Lubricate & Clean		Replace
Filter Foams	Clean & Inspect			Replace as required (1-2 years)
UV Bulbs				Replace
Quartz Sleeve			Clean & Inspect	Replace after 2 years
Other Media (Bio Balls)	Clean & Inspect			



Filter Maintenance

In general, it is recommended to disconnect your PFC and clean the pipes and filter media on a regular basis. Pipework will become blocked with waste and protein slime over time, so regular cleaning is important for optimal performance.

The frequency of how often you will need to clean and inspect your unit of course will depend on a lot of factors like how dirty the water is when you first start using your all-in-one system, your pond volume and also how many fish you have. How often you feed your fish and seasonal light levels will also affect how quickly your pond water gets dirty and will need to be taken into consideration when planning how often to clean your filter system.

It is recommended that every two weeks you perform the 'spin clear cleaning' process to ensure the continued effectiveness of the filter.

Again depending on the above factors you will need to perform a full deep clean of the included foams and the inside of the filter body 2-3 times per year.

Please note that the part numbers below are displayed as follows:

(1/8) - the first part number is for all models other than the PFC-50000, the second part number is for the PFC-50000.

- 1. Switch off your pump and your PFC at the mains** - visually inspect that you have no water flow through the filter.
- 2. Connect hose to the Spin Clear Point** - safely connect using either jubilee / wire clips to ensure this is water tight.
- 3. Aim your waste** - Place the end of the hose from the Spin Clear Point to a suitable location in your garden. Point the Outlet Control Dial (28/32) towards the Spin Clear Point. Switch on your pump and visually inspect that you have the expected water flow through the filter. Visually check that you have no leakage.
- 4. Attach the 'Self Cleaning Handle' and spin clear** - attach the supplied 'Self Cleaning Handle' (18/3) to the top of your PFC. Spin the handle in either direction to spin and squeeze the waste from your filter foams.
- 5. Return the filter to normal operation** - Point the water direction knob towards your towards your Water Inlet Point. Visually check that you have no leakage and that you have the expected water flow through the filter. Switch on the PFC at the mains.



O-rings

It is vital that O-rings are regularly inspected and replaced as the rubber watertight seal will perish over time, which may cause your unit to leak. Before replacing your o-rings, ensure they are well lubricated to ensure the seal is kept water tight.

Filter Media

The filter media provided with your unit and their positioning within the filter body are designed to give complete and optimum filtration for your pond.

Fine & Coarse Filter Foams	Mechanical Filtration	Remove small waste particles from the water.
Bio Balls	Biological Filtration	Create environment for nitro-bacteria to cultivate and help oxygenate the water.

IMPORTANT! Always use water from your pond to clean your filter sponges and media. Do not use mains water or any cleaning products to clean your media. When replacing media in your filter, do not replace more than 50% of your media at once. This is to ensure that the nitrifying bacteria present in the old media are able to repopulate in the newly added filter media.

Deep Clean Maintenance

All internal cleaning should be done using pond water.

- 1. Remove the PFC lid** - unfasten the head clasp and remove it. Pull the PFC lid clear of the PFC and place upside down on a flat surface.
- 2. Remove the filter sponges** - unscrew parts 10, 11/20 and 21. You can now remove the filter sponges from your unit.
- 3. Clean your filter sponges** - clean the filter sponges and replace. Reattach the parts 10, 11/20 and 21.
- 4. Clean biomechanical media** - rinse through your Bio Balls and K media in the bottom of the filter body.
- 5. Clean body and all attachments** - reassemble.



SPECIFICATIONS

MODEL	PFC-5000	PFC-8000	PFC-12000	PFC-20000
UV POWER (WATTAGE)	11w	11w	11w	18w
DIMENSIONS (LxWxH) (mm)	310x310x405mm	380x380x400mm	380x380x510mm	380x380x740mm
FILTER BODY VOLUME (L)	16L	20L	25L	38L
MAX FLOW RATE (L)	6000	9000	10000	10000
HOSETAIL FITS	20, 25 & 32mm	20, 25, 32 & 38mm		
CABLE LENGTH	5m (plug not included)			
VOLTAGE	220 - 240v / 50Hz			

SUITABLE FOR PONDS WITH

NO FISH (DECORATIVE)	<5000L	<8000L	<12000L	<20000L
SMALL MIX OF FISH	<3000L	<5000L	<9000L	<12000L
HEAVY STOCKED KOI	<1500L	<4000L	<6000L	<10000L

MODEL	PFC-25000	PFC-30000	PFC-50000
UV POWER (WATTAGE)	36w	55w	55w
DIMENSIONS (LxWxH) (mm)	450x450x550mm	450x450x715mm	600x600x815mm
FILTER BODY VOLUME (L)	50L	75L	170L
MAX FLOW RATE (L)	12000	12000	13000
HOSETAIL FITS	32, 38 & 50mm		
CABLE LENGTH	5m (plug not included)		
VOLTAGE	220 - 240v / 50Hz		

SUITABLE FOR PONDS WITH

NO FISH (DECORATIVE)	<25000L	<30000L	<50000L
SMALL MIX OF FISH	<20000L	<25000L	<35000L
HEAVY STOCKED KOI	<15000L	<20000L	<28000L



TROUBLESHOOTING

UV Indicator is not Lighting Up

If the UV indicator on the top of the filter lid is not lighting up follow these troubleshooting steps:

1. If you find that the UV light is not operational, check that you have power from the mains supply.
3. If you do have power from the mains supply, clean the UV indicator. Check if you can see the UV is operational through the viewing hole on top of the unit. If you aren't able to see it, try performing a safety override. Locate the safety override switch on the ballast end next to the UV bulb fitting (the switch is a small piece of metal attached to the ballast).

IMPORTANT! NEVER look directly at the UV light. Press and hold the small thin silver switch when the power is on and the bulb should ignite. Please test in a dark/ shadowed place and do not look directly at the bulb – we recommend covering the bulb with kitchen roll or similar. You should still be able to see the glow of the bulb through this.

4. If the above does not solve the issue replace the UV bulb.
5. Please check for signs of damage or water ingress to quartz sleeve and bulb area. You might need to replace your quartz sleeve and/or O-Ring if that's the case.
6. If you find that the UV light is still not operational after the bulb replacement, the UV ballast may have developed a fault and you will need to contact the supplier of your unit to obtain replacement parts.

Please remember that UV bulbs for use in ponds should be replaced every 12 months.

Slow Flow Rate

1. Rinse unit's foams making sure they are free of debris.
2. Ensure that the inlet hose connector has been cut correctly to size, if not this will restrict the flow from the pump into the filter.
3. Ensure that the inlet hose is not kinked or crushed.



Green Water or Cloudy/Brown Water?

In order to correctly identify if you have green water or cloudy/brown water, a settlement test should be carried out.

Take a jar of pond water and allow to settle for 24 hours.

Green Tinge - If your jar is showing mostly green tinged water or has green particles floating in it, you most likely have a bit of an algae problem (follow the green water trouble shooting guide).

Brown Tinge / Water with Sediments - this indicates that you have organic debris decomposing in your pond. This can be particles from dead leaves, twigs and other plant debris that are breaking down (follow the brown water trouble shooting guide).

The UV Bulb is on But My Pond is Green

There are a lot of different factors which contribute to this type of issue and it may not be the UV system at fault. The UV clarifier will work to maintain rather than transform water quality so you may need to add treatments to clear poor quality water or consider a heavy water change.

Algae growth in water can be due to high phosphate and nitrate and green water is heightened in the summer period due to the extra sunlight so it is also advised that a water test is carried out.

If the UV light is working then the product is functioning correctly. The position of the pond should also be considered, as this affects how much sunlight is directly falling on the pond. Algae growth is very likely to require a treatment to resolve the growth. Consider purchasing the All Pond Solutions Green Water treatment or Blanketweed treatment.

The orientation of the garden can also be an issue; south facing gardens inevitably get more sunlight and can cause ponds to be greener in the summer if exposed all day. Try and shade your pond water surface, plants are a great way to do this.

My Pond Water is Cloudy/Brown

1. Make sure the unit is turned on 24 hours a day. Continuous running is needed to maintain a clean and healthy pond.

2. Remove pond waste and leaves and carry out a partial water change. If sludge is present treat your pond with All Pond Solutions Anti Sludge treatment.



- 3.** Reduce feeding. Overfeeding introduces a lot of organic waste and is one of the main causes for cloudy water problems.
- 4.** Make sure to perform regular water changes, check your unit is clean and adequate for your pond size and do not overstock it.

My filter is leaking

- 1.** Check that the inlet/outlet caps and O-ring have been correctly assembled and that they are hand tight. Ensure the O-rings are intact, well lubricated and not twisted or damaged.
- 2.** Always secure the inlet hose and outlet hose with a jubilee clip.
- 3.** If you find that the unit is still leaking after the above checks or there is an obvious casing crack, you will need to replace the body casing on the unit.

My Unit is Cutting Out

- 1.** Rinse unit's foams making sure they are free of debris.
- 2.** Inspect the quartz sleeve for hair line cracks and ensure that all O-rings are in place and well lubricated.

If none of the above resolves your issue, or you require spare parts for your filter, please contact the supplier of your unit.



WARRANTY

The All Pond Solutions PFC range is guaranteed against defects in material or workmanship under normal pond usage and comes with 24 months warranty for all electrical parts. The warranty period commences from the date of purchase.

If you require support on how to use your unit, replacement parts or if your filter develops a fault during the warranty period, please contact the supplier of your unit.

Non-replaceable, non-perishable and non-serviceable parts will be repaired or replaced free of charge, once the unit is returned with all components along with a valid proof of purchase and postage paid. We reserve the right to replace or repair the unit at our discretion.

Please be aware that perishable parts that are subject to normal wear and tear, such as impellers, impeller covers, motor seals and UV bulbs, are not covered by your warranty and a charge may be required for replacements of these.

This warranty does not apply to any unit that has been subjected to misuse, accidental damage, negligence, tampering or customisation. It does not apply to units which have been assembled incorrectly, improperly maintained, or where the instructions and safety information in this manual has not been followed correctly.

No liability is assumed with respect to loss or damage to livestock or personal property irrespective of the cause thereof.

Please ensure that only genuine All Pond Solutions components are used when completing a replacement or repair. Spare parts are available at our official website or from your local supplier.

Before returning your unit under warranty terms, check that all setup and maintenance instructions have been correctly followed. If you are in doubt, please contact your local aquatic retailer for further advice before returning the product.

This does not affect your statutory rights.



Merci d'avoir acheté le filtre pressurisé PFC All Pond Solutions.

Vous trouverez dans ce manuel des détails sur la façon de régler correctement votre PFC mais également comment installer le PFC en toute sécurité.

SÉCURITÉ

Important! Débranchez les alimentations électriques principales avant de procéder à toute installation / entretien de toute sorte.

- N'essayez pas de modifier cet appareil d'aucune sorte et utilisez uniquement les pièces recommandées pour le remplacement
- Ne regardez pas directement la lumière UV lorsqu'elle est en fonctionnement
- Toutes les connexions doivent être raccordées à la terre
- Ne connectez pas à une autre tension que celle mentionnée
- Ne le placez pas dans les liquides autre que l'eau
- Ne jamais utiliser avec de l'eau supérieure à 30°C ou 90°F
- Ne jamais porter le PFC en utilisant le câble d'alimentation, ni tenir le filtre avec les deux mains
- Utilisez uniquement des pièces authentiques approuvées
- Veillez à ce que le PFC soit situé à au moins 2 mètres du bord du bassin
- Lors de l'entretien, assurez-vous que les anneaux soient présents et intacts
- Avant de faire fonctionner le PFC, surveillez que l'eau s'écoule bien à travers le filtre- les UV nécessitent d'un débit constant afin d'éviter une surchauffe

Merci de noter:

Cet appareil peut être utilisé par les enfants âgés de 8 ans et plus, ainsi que par les personnes aux capacités mentales, sensorielles et physiques réduites ou avec un manque d'expérience et de connaissance, seulement s'ils ont été supervisés et informés sur l'utilisation de l'appareil de manière sûre et qu'ils aient bien compris les dangers liés. Les enfants ne doivent pas jouer avec l'appareil. Le nettoyage et l'entretien ne doit pas être fait par un enfant sans supervision.



Le PFC est livré avec suffisamment de câbles de raccordement à 3 conducteurs, cependant, si vous deviez avoir besoin de câble supplémentaire, l'utilisation d'un connecteur de câble étanche homologué est impératif.

Merci de vous assurer:

- Que l'alimentation électrique soit raccordée à la terre et protégée par des fusibles de 3 ampères
- De l'utilisation d'un disjoncteur différentiel pour une sécurité supplémentaire
- Vérifiez régulièrement le câble de tout dommage et détérioration
- De la conformité avec les prescriptions de l'autorité locale de fourniture en énergie électrique, s'il est installé en continu à l'alimentation principale
- Consultez un électricien qualifié en cas de doute sur les aspects du câblage

CONTENUS DE L'EMBALLAGE

Filter assemblé PFC x 1

Accessoires PFC-5000	Accessoires PFC-8000/12000/20000	Accessoires PFC-25000/30000/50000
Becs à cran x 3	Becs à cran noirs x 2	Becs à cran transparents x 3
Becs à cran x 3	Bec à cran transparent x 1	Ecrous de bec à cran x 3
ecs à cran x 3	Robinet de bec à cran x 1	Anneaux de bec à cran x 3
Ecrous de bec à cran x 3	Ecrous de bec à cran x 4	Manuel d'instruction x 1
Anneaux de bec à cran x 3	Anneaux de bec à cran x 4	
Anneaux de bec à cran x 3	Manuel d'instructions x 1	
Manuel d'instructions x 1		

SYMBOLES DE SORTIE



POINT D'ARRIVEE D'EAU

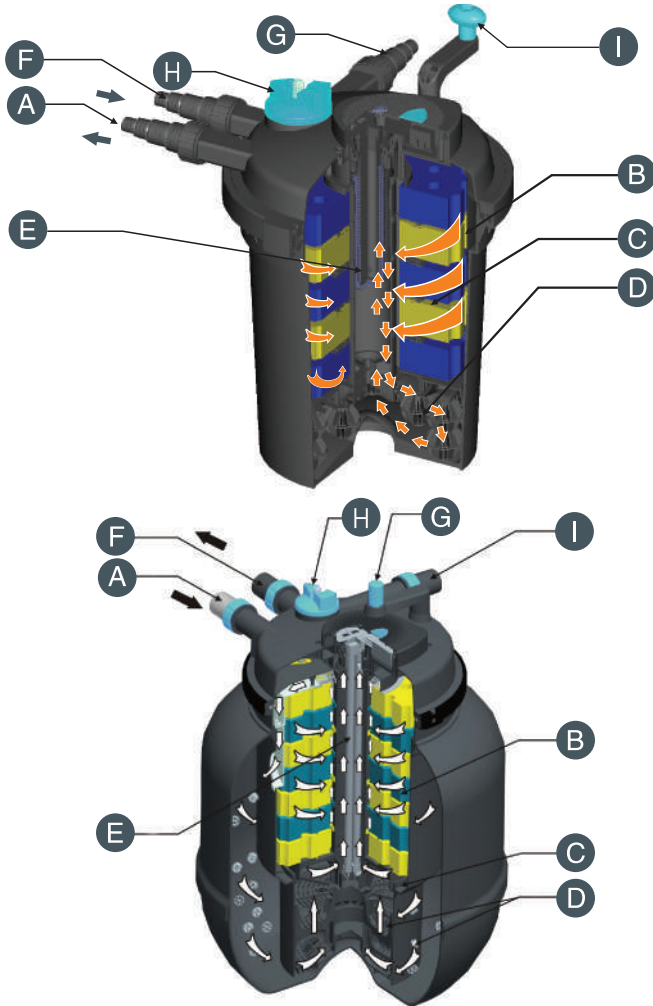


POINT DE SORTIE D'EAU



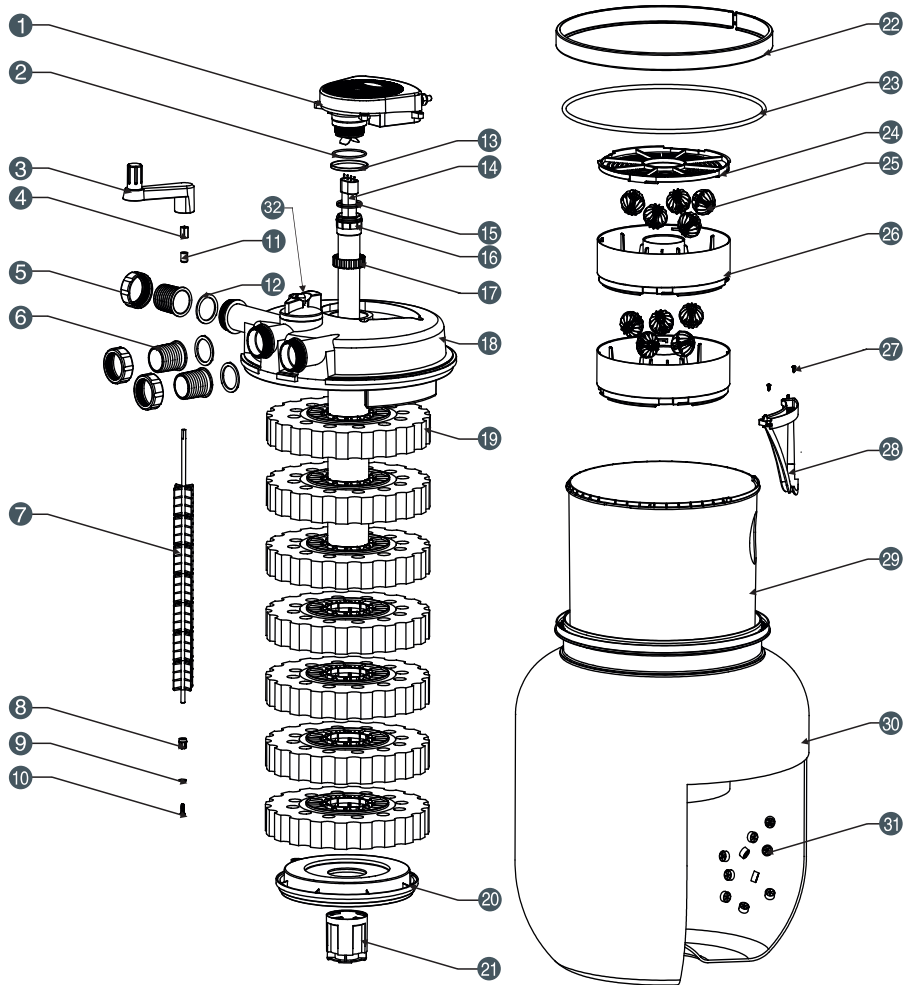
POINT D'AUTO-NETTOYAGE

DIAGRAMME DU PRODUIT



A	Point d'entrée d'eau – se connecte à la pompe du bassin
B	Système Vortex – l'effet centrifuge détruit l'eau sale
C	Filtration mécanique
D	Filtration biologique
E	Ampoule UV – clarification / stérilisation de l'eau
F	Point de sortie d'eau – se connecte au retour de l'eau
G	Point dégagé de rotation – entretien et évacuation de l'eau
H	Bouton de direction de l'eau – oriente entre le fonctionnement normal et le fonctionnement rotatif
I	Poignée de nettoyage rotative – tourne pour retirer les débris de vos mousses de filtre

DIAGRAMME DES PIÈCES PFC-50000



1	COUVERCLE UV	9	RONDELLE DE TIGE	17	ECROU DE QUARTZ UV	25	BALLES BIO
2	ANNEAU	10	VIS DE TIGE	18	COUVERCLE PFC	26	PANIER DE FILTRAGE
3	BOUTON PIVOTANT	11	POIGNEE DE POSITION	19	EPPONGES	27	VIS DE DERIVEUR
4	TIGE DE POIGNEE	12	ANNEAU DE BEC A CRAN	20	PLAQUE DE FILTRATION	28	PLAQUE DE DERIVEUR
5	ECROU DE SORTIE	13	POCHETTE UV	21	SUPPORT DE PLAQUE	29	RESEVOIR INTERNE
6	BECS A CRAN	14	LAMPE UV	22	FERMOIR	30	CORPS DU PFC
7	TIGE DE PRESENTATION	15	ANNEAU UV	23	ANNEAU PRINCIPAL	31	MEDIA K
8	PALIER DE TIGE	16	QUARTZ UV	24	PLAQUE DE FILTRAGE	32	CADRAN DE CONTRÔLE DE SORTIE



Please note thMerci de noter que la pression du PFC dépend de nombreux facteurs tels que l'emplacement (hauteur et distance du bassin), la puissance et l'emplacement de la pompe connectée (L/H), la profondeur du bassin, la densité du contenu du bassin et les dimensions des tuyaux.

Afin d'améliorer la qualité de l'eau du bassin, nous vous recommandons fortement de prendre en compte ces facteurs afin de garantir une efficacité maximum et d'éviter une pression de retour faible.

Lorsque vous mettez en place le PFC, veillez à ce qu'il soit à un minimum de 2 mètres du bassin. Le PFC peut parfaitement être enfoui jusqu'à la tête de l'appareil. Veillez à avoir accès au corps du système dans la mesure du possible à des fins d'entretien. L'enfouissement de l'unité vous aidera à réduire la distance entre le filtre et le bassin et vous fournira une plus forte pression de retour de l'eau.

❶ Raccordez les accessoires nécessaires

Choisissez les becs à cran requis (selon la dimension de votre tuyau flexible) et fixez-les au PFC (utilisez l'écrou de pair avec l'anneau pour serrer fermement). Des becs de tuyau à cran si vous utilisez un tuyau plus grand que la plus petite dimension que vous voudrez couper afin d'éviter un débit d'eau réduit.

❷ Placez le PFC

Placez le PFC près de votre bassin (à au moins 2 mètres). Le PFC peut être debout ou enfoui.

❸ Raccordez votre tuyau flexible au PFC

Raccordez votre tuyau flexible aux becs à cran du PFC.

Raccordez en toute sécurité des colliers de serrage/ attache- fils afin de vous assurer que cela soit hermétique.

Votre pompe (non incluse) devra être fixée au 'Point d'entrée d'eau'.

Le 'Point de sortie d'eau' devra diriger l'eau soit dans votre bassin ou dans une cascade d'eau près du bassin. Dirigez le bouton de direction de l'eau vers votre 'Point d'entrée d'eau' et 'Point de sortie d'eau'

❹ Raccordez le PFC à l'alimentation principale

Raccordez le PFC à l'alimentation principale en utilisant un disjoncteur différentiel pour une sécurité supplémentaire.

❺ Allumez votre pompe

Allumez votre pompe et inspectez visuellement que vous avez le débit d'eau prévu à travers le filtre PFC.

Vérifiez visuellement qu'il n'y a pas de fuite.

❻ Allumez le PFC à l'alimentation principale

Maintenant que vous avez visuellement vérifié que le PFC donne le débit d'eau nécessaire, vous pouvez mettre l'UV en fonctionnement en allumant l'appareil par l'alimentation principale.



- ❶ Veillez toujours à ce que le PFC ait bien un débit d'eau avant de faire fonctionner l'UV.
- ❷ Ne jamais regarder la lumière UV lorsqu'elle est en fonctionnement.
- ❸ Vérifiez visuellement que l'UV soit opérationnel en utilisant le voyant UV (*pièce1*)

ENTRETIEN

Il est conseillé d'effectuer toutes les deux semaines le processus 'nettoyage de la rotation' afin de vous assurer de l'efficacité continue du filtre. Selon le volume de votre bassin et son niveau de contenu, cela pourra être effectué plus ou moins souvent. Toujours selon les facteurs ci- dessus, il faudra effectuer un nettoyage complet des mousses incluses ainsi qu'à l'intérieur du corps filtrant à raison de 2-3 fois par an.

Merci de noter que les numéros des pièces ci- dessous sont affichés comme suit: (1/8) - la première partie du numéro correspond à tous les modèles autres que le CPF-50000, la deuxième partie du numéro correspond au CPF-50000.

- ❶ **Coupez l'alimentation principale du PFC**
- ❷ **Eteignez votre pompe** Eteignez votre pompe et inspectez visuellement qu'il n'y a pas de débit d'eau à travers le filtre PFC.
- ❸ **Raccordez le tuyau flexible au 'Point dégagé de rotation'**
Raccordez votre tuyau flexible au bec à cran du 'Point dégagé de rotation' du PFC. Raccordez en toute sécurité des colliers de serrage/ attache - fils afin de vous assurer que cela soit hermétique.
- ❹ **Dirigez les déchets** Dirigez l'eau usée du 'Point dégagé de rotation' vers un endroit approprié. Dirigez le 'cadran de contrôle de sortie' (28/32) vers le 'Point dégagé de rotation'.
- ❺ **Allumez votre pompe** Allumez votre pompe et inspectez visuellement que vous avez le débit d'eau prévu à travers le filtre PFC. Vérifiez visuellement qu'il n'y a pas de fuite.
- ❻ **Fixez la 'poignée d'auto nettoyage' et faites tourner.**
Fixez la 'poignée d'auto nettoyage' fournie (18/3) au- dessus du PFC. Faites tourner la poignée soit pour la faire tourner soit pour retirer les débris de vos mousses de filtre.
- ❼ **Remettez le PFC en fonctionnement normal.**
Dirigez le bouton de direction de l'eau vers votre 'Point d'entrée d'eau' et 'Point de sortie d'eau'. Vérifiez qu'il n'y a pas de fuite.
Vérifiez visuellement que le filtre du PFC donne le débit d'eau nécessaire.
Allumez le PFC par l'alimentation principale.

Entretien de nettoyage approfondi



Tout le nettoyage des pièces devra être fait en utilisant de l'eau propre du bassin.

① Enlevez le couvercle du PFC

Détachez les 'fixation de dessus' (15/22) et enlevez-les.

Eloignez le 'couvercle du PFC' (8/18) du PFC et positionnez-le sur une surface plane.

② Enlevez les éponges filtrantes

Dévissez les pièces 10, 11/20, 21. Vous pouvez maintenant enlever les éponges filtrantes du 'couvercle du PFC'.

③ Nettoyez les éponges filtrantes

Nettoyez les éponges filtrantes et remettez-les en place

Refixez les pièces 10, 11/20, 21.

④ Nettoyez le 'média filtrant biomécanique'

Rincez vos 'Balles Bio et votre média K' (13/25, 31) par le bas du 'corps de filtre' (17/30).

⑤ Nettoyez le corps et toutes les fixations

⑥ Réassemblez

DÉPANNAGE

LE VOYANT UV NE S'ALLUME PAS

Si le voyant UV ne s'allume pas, suivez ces étapes de dépannage:

- ① Dévissez le couvercle UV (1) et retirez-le ainsi que la lampe UV et mettez l'UV (4/14) / le quartz (6/16) à l'écart du PFC.
- ② Pendant seulement quelques secondes, allumez le système et vérifiez si vous pouvez voir que l'UV fonctionne (NE REGARDEZ PAS directement la lampe UV). Si l'UV fonctionne, nettoyez le voyant UV.
- ③ Si vous trouvez que la lumière UV ne fonctionne toujours pas, vérifiez que vous ayez bien de la puissance auprès de l'alimentation principale.
- ④ Si vous avez de la puissance auprès de l'alimentation principale, changez l'ampoule UV.
- ⑤ Si vous trouvez que la lumière UV ne fonctionne toujours pas, l'UV à ballast a dû développer un dysfonctionnement et vous devrez contacter le fournisseur de votre PFC pour obtenir les pièces de remplacement.

Merci de vous rappeler que les ampoules UV pour un usage dans les bassins, doivent être remplacées tous les 12 mois.

Si aucun des conseils ci-dessus n'a résolu votre problème, ou si vous avez besoin de pièces détachées pour votre PFC, merci de contacter le fournisseur de votre PFC.

SPÉCIFICATIONS



MODELE	PFC-5000	PFC-8000	PFC-12000	PFC-20000	PFC-25000	PFC-30000	PFC-50000
PUISSANCE DE l'UV	11	11	11	18	36	55	55
DIMENSIONS (l x L x H) (mm)	310x310x405	380x380x410	380x380x520	380x380x730	450x450x550	450x450x715	600x600x815
VOLUME DU CORPS DE FILTRE	16L	20L	25L	38L	50L	75L	170L
DEBIT MAX (LITRES)	6000	9000	10000	10000	12000	12000	13000
ADAPTATEUR DE TUYAU D'ENTREE/ DE SORTIE	3/4" - 1 1/4"	3/4" - 1 1/2"			1 1/4" - 2"		
LONGUEUR DU CABLE	5m (plug not included)						
TENSION	220-240v / 50Hz						
CONVIENT POUR LES BASSINS							
SANS POISSON (DECORATIF)	<5000L	<8000L	<12000L	<20000L	<25000L	<30000L	<50000L
AVEC UN PETIT MELANGE DE POISSON / KOIS	<3000L	<5000L	<9000L	<12000L	<20000L	<25000L	<35000L
AVEC DES KOIS DE GROS CALIBRE	<1500L	<4000L	<6000L	<10000L	<15000L	<20000L	<28000L

GARANTIE

Votre système PFC est garanti pendant 24 mois et couvre toutes les pièces électriques.

Si vous avez besoin d'aide pour le fonctionnement de votre PFC, de pièces de remplacement ou si votre PFC présente un défaut durant la période de garantie, merci de contacter le fournisseur du PFC.

Merci de noter que les pièces telles que les pompes, les axes, les aimants et les caoutchoucs ne sont pas couverts par notre garantie et des frais pourraient être demandés pour le remplacement de ces pièces.



Grazie per aver acquistato il filtro pressurizzato PFC di All Pond Solutions.

In questo manuale troverete tutte le istruzioni su come assemblare il PFC e installarlo in modo sicuro.

SICUREZZA

IMPORTANTE! Staccare l'alimentazione elettrica prima dell'installazione o di qualsiasi tipo di manutenzione.

- Non tentare di modificare il dispositivo in alcun modo, e utilizzare solo i pezzi di ricambio raccomandati.
- Non fissare direttamente la luce UV quando è in funzione.
- Tutti i collegamenti devono essere messi a terra.
- Non collegare corrente elettrica con voltaggi differenti rispetto a quelli indicati.
- Non utilizzare con liquidi diversi dall'acqua.
- Non usare con acqua a temperatura superiore ai 30°C o 90°F.
- Non trasportare il filtro trainandolo con il cavo di alimentazione, sollevarlo sempre con entrambe le mani.
- Utilizzare solo i pezzi di ricambio originali e approvati.
- Accertarsi che il PFC sia collocato ad almeno 2 metri dal laghetto.
- Durante la manutenzione assicurarsi che tutte le guarnizioni siano presenti e che siano intatte.
- Prima di azionare il PFC accertarsi che vi sia un flusso d'acqua al suo interno – La lampada UV necessita di un flusso costante per evitare il surriscaldamento.

Si prega di notare che:

Questo apparecchio può essere utilizzato da bambini di almeno 8 anni d'età e da persone con ridotte capacità motorie, sensoriali o mentali, o prive di esperienza e conoscenza, solo sotto supervisione o se adeguatamente istruiti sull'utilizzo dell'apparecchio in sicurezza, e se in grado di comprenderne i pericoli. I bambini non devono giocare con l'apparecchio. Pulizia e manutenzione non devono essere eseguite da bambini in assenza di supervisione.

COMPONENTI ELETTRICHE



Il PFC è dotato di un cavo 3 x 1 molto lungo, tuttavia, qualora fosse necessario del cavo aggiuntivo è essenziale l'utilizzo di un connettore per cavi impermeabile e omologato.

Assicurarsi di:

- Mettere a terra l'alimentazione elettrica utilizzando un fusibile da 3 ampere.
- Utilizzare di un interruttore differenziale (RCD) per una maggiore sicurezza.
- Controllare regolarmente il cavo per individuarne l'eventuale danneggiamento e deterioramento.
- Osservare le normative dell'Ente locale dell'energia elettrica se si installa in modo permanente sulla rete elettrica.
- Consultare un elettricista qualificato in caso di dubbi su eventuali aspetti relativi all'impianto elettrico.

CONTENUTO DELLA CONFEZIONE

1 Filtro PFC assemblato

Accessori del PFC-5000	Accessori del PFC-8000/12000/20000	Accessori del PFC-25000/30000/50000
3 Portagomma	2 Portagomma neri	3 Portagomma trasparenti
3 Portagomma	1 Portagomma trasparente	3 Dadi per portagomma
3 Portagomma	1 Rubinetto per portagomma	3 Guarnizioni per portagomma
3 Dadi per portagomma	4 Dadi per portagomma	1 manuale di istruzioni
3 Guarnizioni per portagomma	4 Guarnizioni per portagomma	
3 Guarnizioni per portagomma	1 manuale di istruzioni	
1 manuale di istruzioni		

SIMBOLI DELLE USCITE



PUNTO DI INGRESSO DELL'ACQUA

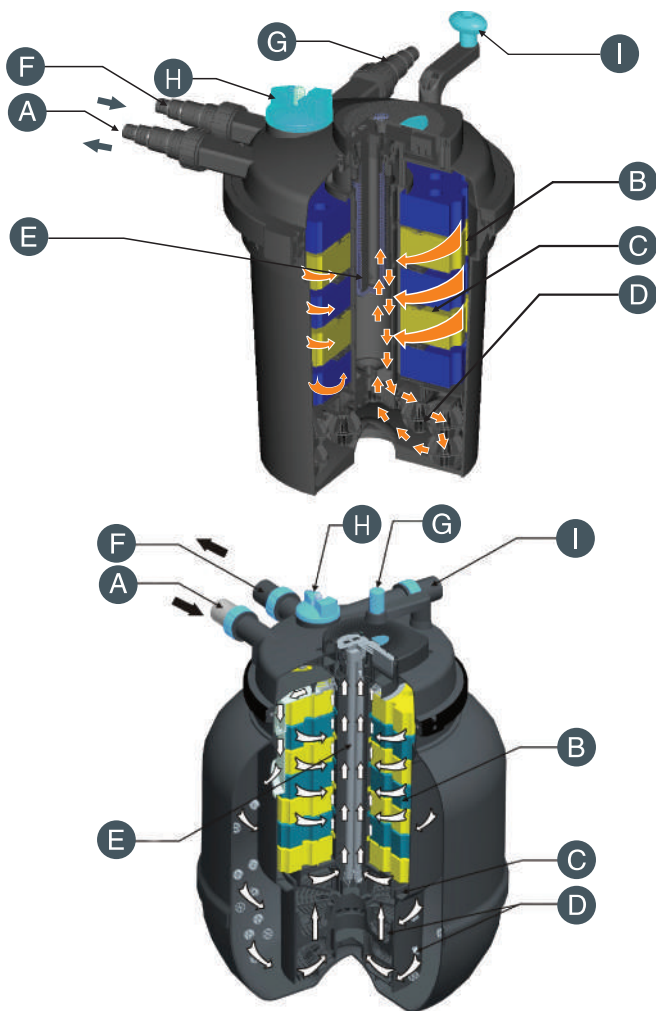


PUNTO DI USCITA DELL'ACQUA



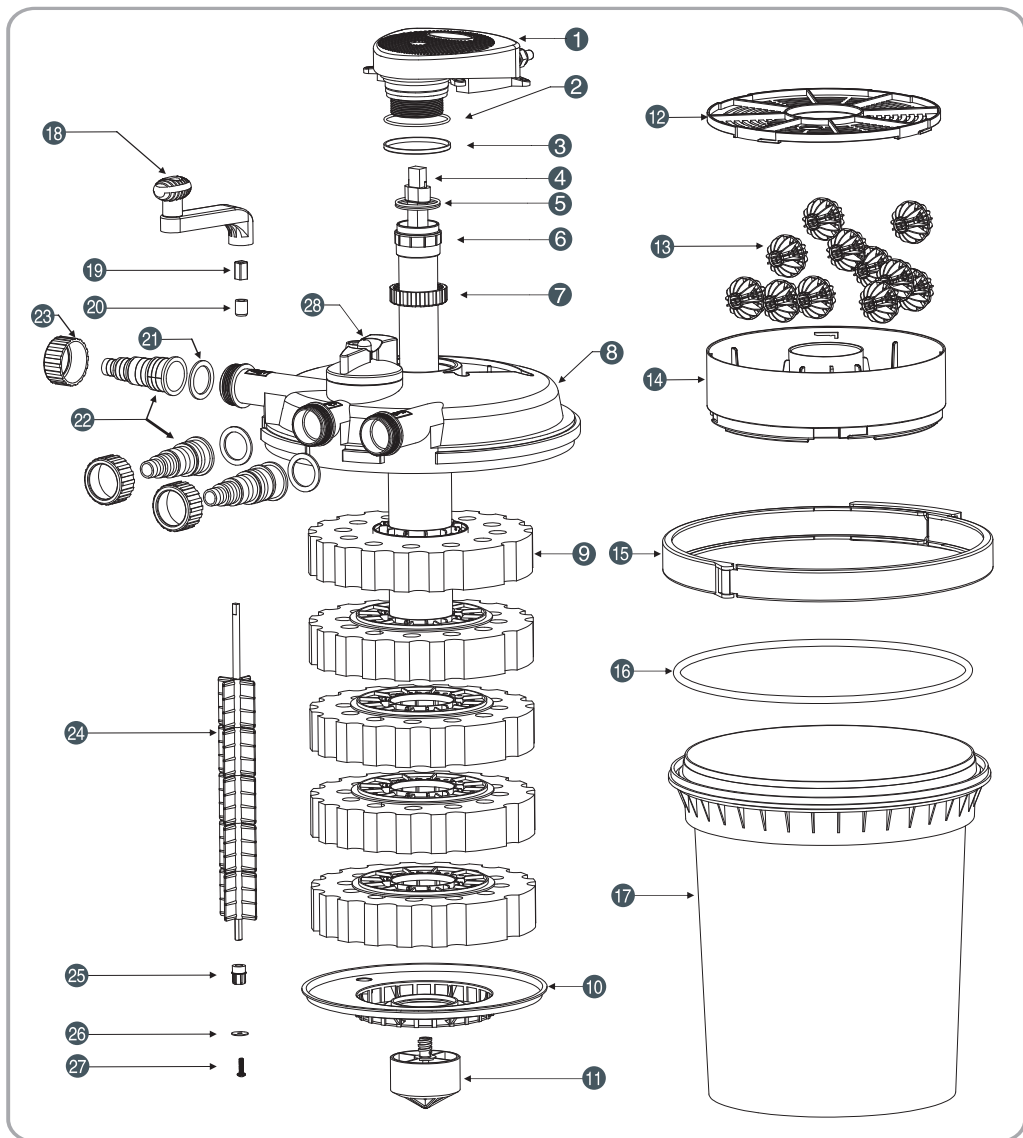
PUNTO DI AUTOPULIZIA

SCHEMA DEL PRODOTTO



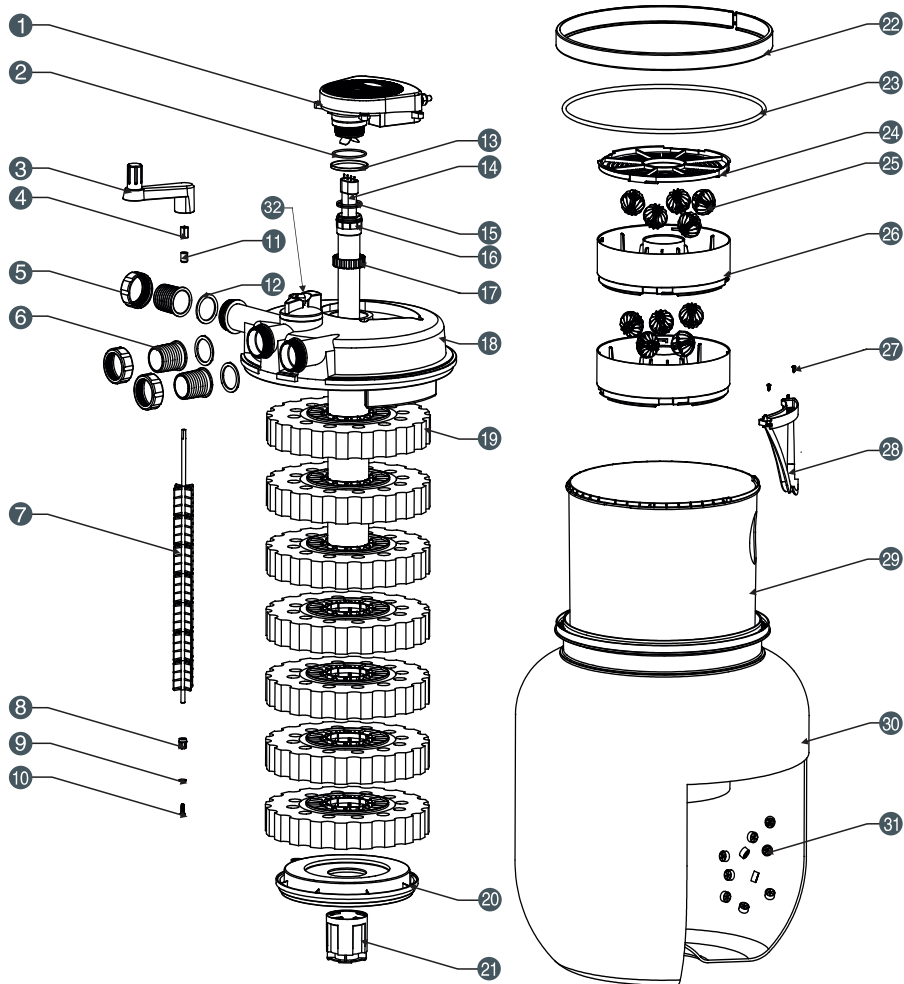
A	Punto di ingresso dell'acqua – si collega alla pompa del laghetto
B	Sistema Vortex – l'effetto centrifuga scompone le acque sporche
C	Filtro meccanico
D	Filtro biologico
E	Lampada UV – chiarificazione/sterilizzazione dell'acqua
F	Punto di uscita dell'acqua – si collega all'acqua di ritorno
G	Punto di pulizia con rotazione – manutenzione e drenaggio delle scorie
H	Manopola direzione dell'acqua – per passare dal funzionamento normale all'operazione di pulizia con rotazione
I	Maniglia per pulizia con rotazione – fa ruotare e strizzare le spugne del filtro

SCHEMA DEI COMPONENTI



1	COPERTURA DELL'UV	8	COPERCHIO PFC	15	FASCETTA DI CHIUSURA COPERCHIO	22	PORTAGOMMA
2	GUARNIZIONE	9	SPUGNE	16	GUARNIZIONE COPERCHIO	23	DADO USCITA
3	GUAINA UV	10	PIATTO DEL FILTRO	17	INVOLUCRO PFC	24	BARRA
4	LAMPADA UV	11	SUPPORTO DEL PIATTO	18	MANIGLIA	25	SOSTEGNO BARRA
5	GUARNIZIONE UV	12	GRIGLIA MATERIALE BIOLOGICO	19	ASSE MANIGLIA	26	RONDELLA BARRA
6	QUARZO UV	13	SFERE BIO	20	SUPPORTO MANIGLIA	27	VITE BARRA
7	DADO PER QUARZO UV	14	CESTELLO MATERIALE BIOLOGICO	21	GUARNIZIONE PORTAGOMMA	28	MANOPOLA DIREZIONE DELL'ACQUA

SCHEMA DEI COMPONENTI PFC-50000



1	COPERCHIO DELL'UV	9	RONDELLA BARRA	17	DADO QUARZO UV	25	SFERE BIO
2	GUARNIZIONE	10	VITE BARRA	18	COPERCHIO PFC	26	CESTELLO MATERIALE BIOLOGICO
3	MANIGLIA	11	SUPPORTO MANIGLIA	19	SPUGNE	27	VITI DEL DEVIATORE
4	ASSE MANIGLIA	12	GUARNIZIONE PORTAGOMMA	20	PIASTRA FILTRANTE	28	PIASTRA DEVIATORE
5	DADO USCITA	13	GUAINA UV	21	SUPPORTO DELLA PIASTRA	29	CONTENITORE INTERNO
6	PORTAGOMMA	14	LAMPADA UV	22	CHIUSURA DEL COPERCHIO	30	INVOLUCRO DEL PFC
7	BARRA DI VISUALIZZAZIONE	15	GUARNIZIONE UV	23	GUARNIZIONE COPERCHIO	31	ELEMENTI BIOLOGICI
8	SOSTEGNO BARRA	16	QUARZO UV	24	GRIGLIA MATERIALE BIOLOGICO	32	SELEZIONATORE CONTROLLO USCITA



Si noti che la pressione del PFC dipende da vari fattori come la collocazione (altezza e distanza dal laghetto) potenza e collocazione della pompa collegata (L/H), profondità del laghetto, densità di popolazione e dimensioni del tubo.

Per migliorare la qualità delle acque del laghetto, si consiglia di tenere in considerazione questi fattori per garantire la massima efficienza ed evitare una bassa pressione di ritorno.

Quando si posiziona il PFC assicurarsi che venga collocato ad almeno 2 metri dal laghetto.

Il PFC è adatto per essere interrato fino al margine della parte superiore dell'unità. Assicurarsi che sia possibile l'accesso al corpo del sistema per la manutenzione. Interrare il dispositivo consentirà di ridurre la distanza tra il filtro e il laghetto e garantirà maggiore pressione dell'acqua di ritorno.

① Collegare le componenti necessarie

Scegliere i portagomma adatti (a seconda delle dimensioni dei tubi flessibili) e collegarli al PFC (utilizzare il dado e la guarnizione uno dietro l'altro per sigillare in modo sicuro). Se si utilizza un tubo più grande rispetto al diametro minore dell'estremità del portagomma, il portagomma può essere tagliato, evitando così di limitare il flusso di acqua.

② Posizionare il PFC

Posizionare il PFC in modo che sia adiacente al laghetto (ad almeno 2 metri di distanza). Il PFC può essere piazzato sul terreno o essere interrato.

③ Collegare il tubo flessibile al PFC

Collegare il tubo flessibile ai portagomma del PFC. Fissare il tubo con fascette stringitubo / morsetti per tubi, per assicurarsi che sia a tenuta stagna. La pompa (non inclusa) deve essere collegata al "punto di ingresso dell'acqua". Il "punto di uscita dell'acqua" dovrebbe dirigere l'acqua o nel laghetto o in una cascata che si immette nel laghetto. Puntare la "Manopola di direzione dell'acqua" verso il "Punto di ingresso dell'acqua" e il "Punto di uscita dell'acqua"

④ Collegare il PFC alla rete elettrica

Collegare il PFC alla rete elettrica utilizzando un interruttore differenziale (RCD) per una maggiore sicurezza.

⑤ Accendere la pompa

Azionare la pompa e assicurarsi visivamente di avere il flusso d'acqua atteso attraverso il filtro PFC.

Controllare che non ci siano perdite.

⑥ Collegare il PFC alla rete elettrica

Dopo aver controllato visivamente che al PFC viene fornita la portata d'acqua richiesta è possibile attivare il funzionamento dell'UV dandogli alimentazione dalla rete elettrica.



- 1 Assicurarsi che il PFC abbia sempre un flusso d'acqua che lo attraversa, prima di azionare l'UV.
- 2 Non guardare mai direttamente la luce UV quando è accesa.
- 3 Verificare il funzionamento dell'UV attraverso l'indicatore UV (*parte 1*)

MANUTENZIONE

Si raccomanda di eseguire il processo di “pulizia con rotazione” ogni due settimane al fine di garantire la costante efficacia del filtro. A seconda del volume dello stagno e della densità di popolazione, questa procedura può essere effettuata più o meno spesso. Sempre tenendo conto dei fattori di cui sopra, si potrà eseguire una pulizia completa e accurata delle spugne e dell'interno del filtro, 2-3 volte all'anno.

Si prega di notare che i codici relativi alle varie parti, utilizzati qui di seguito, vanno letti come segue: (1/8) - il primo numero è riferito tutti i modelli diversi dal CPF-50000, il secondo numero si riferisce al CPF-50000.

1 Scollegare il PFC dalla rete elettrica

2 Spegnerne la pompa

Spegnerne la pompa e controllare visivamente che non vi sia un flusso dell'acqua attraverso il filtro PFC.

3 Collegare il tubo flessibile al “Punto di pulizia con rotazione”

Collegare il tubo flessibile al portagomma del “Punto di pulizia con rotazione” del PFC. Collegarlo stringendolo con fascette stringitubo / morsetti per tubi, per assicurarsi che sia a tenuta stagna.

4 Direzione i rifiuti

Dirigere il tubo flessibile delle acque di scarico dal “Punto di pulizia con rotazione” verso un luogo adeguato. Ruotare la “Manopola di direzione dell'acqua” (28/32) verso il “Punto di pulizia con rotazione”.

5 Accendere la pompa

Accendere la pompa e assicurarsi visivamente che ci sia il flusso d'acqua previsto attraverso il filtro PFC.

Controllare visivamente che non ci siano perdite.

6 Collegare la “Maniglia di autopulizia” e girare

Collegare la “Maniglia di autopulizia” (18/3) alla parte superiore del PFC. Ruotare la maniglia in entrambe le direzioni per far girare e strizzare via i rifiuti dalle spugne del filtro.

7 Riportare il PFC al normale funzionamento

Puntare la “Manopola di direzione dell'acqua” verso il “Punto di ingresso dell'acqua” e “Punto di uscita dell'Acqua”. Controllare visivamente che non ci siano perdite. Controllare visivamente che vi sia l'atteso flusso d'acqua attraverso il PFC. Collegare il PFC alla rete elettrica.

Pulizia profonda e manutenzione



La pulizia interna deve essere effettuata utilizzando acqua pulita del laghetto.

❶ Togliere il coperchio del PFC

Allentare e rimuovere la fascetta di chiusura del coperchio (15/22).
Estrarre il coperchio dal PFC (8/18) e posizionarlo capovolto su una superficie piatta.

❷ Rimuovere le spugne filtranti

Svitare le parti 10, 11/20, 21. È ora possibile rimuovere le spugne filtranti dal coperchio del PFC.

❸ Pulire le spugne del filtro

Pulire le spugne filtranti e riposizionarle.
Rimontare le parti 10, 11 / 20, 21.

❹ Pulire gli elementi biomeccanici

Sciaccare le Sfere Bio e gli altri elementi biologici (13/25, 31) nella parte inferiore dell'involucro del filtro (17/30).

❺ Pulire l'involucro e tutte le sue parti

❻ Riassemblare

RISOLUZIONE DEI PROBLEMI

La spia UV non si accende

Se la spia luminosa dell'UV non si accende, seguire le seguenti procedure:

- ❶ Svitare il coperchio dell'UV (1) ed estrarlo dal PFC insieme alla lampada (4/14)/quarzo (6/16).
- ❷ Accendere il dispositivo solo per pochi secondi e verificare se è possibile vedere l'UV accesa (NON guardare direttamente l'UV).
- ❸ Se l'UV funziona, pulire l'indicatore UV.
Se si scopre che la luce UV non funziona, verificare che ci sia l'alimentazione dalla rete elettrica.
- ❹ Se l'alimentazione dalla rete elettrica c'è, allora provare a sostituire la lampadina.
- ❺ Se si scopre che la luce UV continua a non funzionare è possibile che ci sia un problema nell'alimentatore dell'UV, e sarà necessario contattare il venditore per la fornitura di pezzi di ricambio.
Si ricordi che la lampadina UV per l'uso nello stagno, dovrebbe essere sostituita ogni 12 mesi.

Se nessuna delle procedure di cui sopra risolve il problema, o se si ha bisogno di pezzi di ricambio per il PFC, si prega di contattare il venditore.

SPECIFICHE



MODELLO	PFC-5000	PFC-8000	PFC-12000	PFC-20000	PFC-25000	PFC-30000	PFC-50000
POTENZA UV (VOLTAGGIO)	11	11	11	18	36	55	55
DIMENSIONI (L X P X H) (MM)	310x310x405	380x380x410	380x380x520	380x380x730	450x450x550	450x450x715	600x600x815
VOLUME DEL CONTENITORE DEL FILTRO	16L	20L	25L	38L	50L	75L	170L
FLUSSO MASSIMO (LITRI)	6000	9000	10000	10000	12000	12000	13000
ADATTATORE TUBO ENTRATA/USCITA	3/4" - 1 1/4"	3/4" - 1 1/2"			1 1/4" - 2"		
LUNGHEZZA DEL CAVO	5m (plug not included)						
VOLTAGGIO	220-240v / 50Hz						
ADATTO A LAGHETTI							
SENZA PESCI	<5000L	<8000L	<12000L	<20000L	<25000L	<30000L	<50000L
CON BASSA DENSITÀ DI PESCI ORNAMENTALI / KOI	<3000L	<5000L	<9000L	<12000L	<20000L	<25000L	<35000L
CON ALTA DENSITÀ DI PESCI ORNAMENTALI / KOI	<1500L	<4000L	<6000L	<10000L	<15000L	<20000L	<28000L

GARANZIA

Il dispositivo PFC viene fornito con una garanzia di 24 mesi che copre tutte le parti elettriche.

Se avete bisogno di supporto per il funzionamento del vostro PFC, di pezzi di ricambio o se il vostro PFC manifesta malfunzionamenti durante il periodo di garanzia, si prega di contattare il venditore.

Si noti che alcuni componenti, come le lampadine, i giranti, gli alberi, i magneti e le guarnizioni non sono coperti dalla garanzia, e potrebbe essere applicata una tariffa per la sostituzione di queste parti.



Gracias por comprar el filtro presurizado PFC de All Pond Solutions.

Usted encontrará en este manual los detalles de cómo configurar correctamente su PFC, además de cómo instalarlo de manera segura.

SEGURIDAD

¡IMPORTANTE! Desconecte el suministro de energía eléctrica antes de realizar cualquier instalación / mantenimiento de cualquier tipo.

- No intente modificar esta unidad en modo alguno y sólo utilice las piezas recomendadas para su sustitución.
- No mire directamente a la luz UV cuando está en funcionamiento.
- Todas las conexiones deben estar conectadas a tierra.
- No conecte a ningún otro voltaje que no sea el señalado.
- No utilice con líquidos, excepto agua.
- No utilice con agua por encima de los 90F o 30C grados.
- Nunca transporte el filtro usando el cable de alimentación, lleve el filtro con las dos manos.
- Utilice solamente piezas genuinas aprobadas.
- Asegúrese de que el PFC está ubicado por lo menos a 2 metros del borde del estanque.
- Durante el mantenimiento, asegúrese de que todos los anillos-O (juntas tóricas) están presentes e intactos.
- Antes de poner el PFC en funcionamiento, observe que el agua fluya a través del mismo — el UV requiere de un flujo constante para evitar el sobrecalentamiento.

Por favor tenga en cuenta:

Este artefacto puede ser utilizado por niños a partir de los 8 años y por personas con capacidades físicas, sensoriales o mentales reducidas o falta de experiencia y conocimiento si han sido supervisadas o instruidas acerca del uso del aparato de una manera segura y comprenden los peligros involucrados. Los niños no deben jugar con el aparato. La limpieza y el mantenimiento no deben ser efectuados por niños sin supervisión.



El PFC viene con un abundante suministro de cable tripolar, sin embargo, si se necesitara un cable adicional es esencial el uso de un conector de cable resistente al agua y aprobado.

Por favor asegúrese de lo siguiente:

- El suministro eléctrico debe estar conectado a tierra y con fusible de 3 amperios.
- Utilice un interruptor diferencial (ID) - también llamado dispositivo diferencial residual (DDR) – para mayor seguridad.
- Inspeccione regularmente el cable en busca de daño y deterioro.
- Estar en cumplimiento de las regulaciones de la Autoridad de Electricidad local si instala de forma permanente a la red eléctrica.
- Consulte con un electricista profesional si tiene dudas sobre cualquier aspecto del cableado.

CONTENIDO DE LA CAJA

Filtro PFC ensamblado x 1

Anexos PFC-5000	Anexos PFC-8000/12000/20000	Anexos PFC-25000/30000/50000
Conector x 3	Conector Negro x 2	Conector Claro x 3
Conector x 3	Conector Claro x 1	Tuerca del Conector x 3
Conector x 3	Conector para Grifo x 1	Juntas Tóricas del Conector x 3
Tuerca para Conector x 3	Tuerca del Conector x 4	Manual de instrucciones x 1
Juntas Tóricas del Conector x 3	Juntas Tóricas del Conector x 4	
Juntas Tóricas del Conector x 3	Manual de instrucciones x 1	
Manual de instrucciones x 1		

SÍMBOLOS DE SALIDA



PUNTO DE ENTRADA DE AGUA

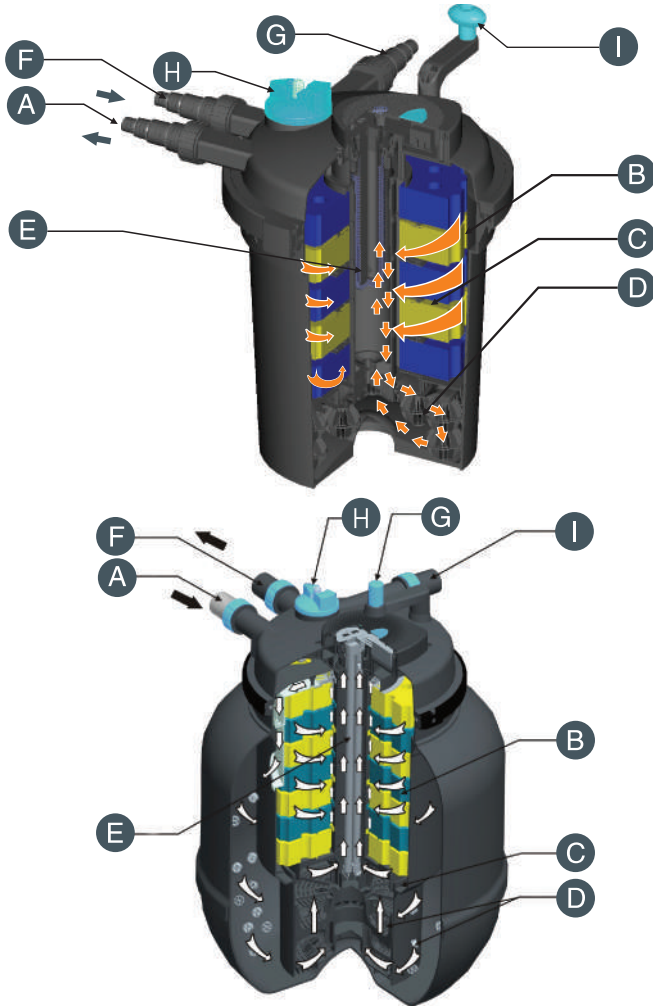


PUNTO DE SALIDA DE AGUA



PUNTO DE AUTOLIMPIEZA

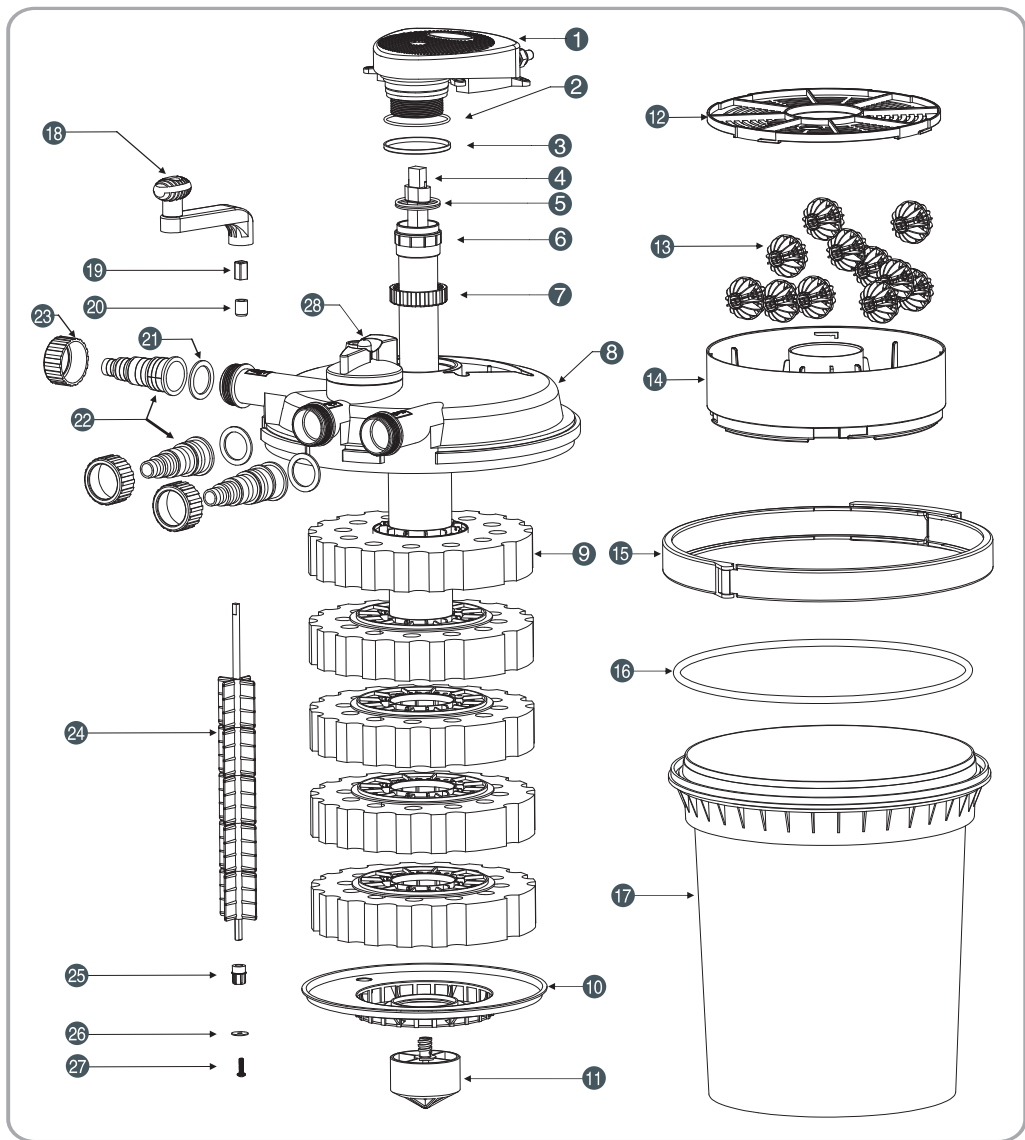
DIAGRAMA DE PRODUCTO



A	Punto de Entrada de Agua – se conecta a la bomba del estanque
B	Sistema Vórtice – efecto centrífugo descompone el agua sucia
C	Filtración Mecánica
D	Filtración Biológica
E	Bombilla UV – clarificación / esterilización del agua
F	Punto de Salida de Agua – se conecta al retorno de agua
G	Punto Spin Clear (Remover Girando) – mantenimiento y drenaje de residuos
H	Perilla de Dirección del Agua – alterna entre la operación normal y de girado
I	Manija Spin Clear (Remover Girando) – gira y exprime las espumas del filtro



DIAGRAMA DE PIEZAS



1	CUBIERTA DE LA CABEZA UV	8	TAPA PFC	15	BROCHE DE LA CABEZA	22	CONECTORES
2	JUNTA TÓRICA (ANILLO-O)	9	ESPONJAS	16	JUNTA TÓRICA PRINCIPAL CABEZA	23	TUERCA DE SALIDA
3	MANGA UV	10	PLACA FILTRANTE	17	CUERPO PFC	24	VARILLA DE VISUALIZACIÓN
4	LÁMPARA UV	11	SOPORTE DE PLACA	18	PERILLA DE LA MANIJA	25	COJINETE DE LA VARILLA
5	JUNTA TÓRICA UV	12	PLACA MATERIAL FILTRANTE	19	EJE DE LA MANIJA	26	ARANDELA DE LA VARILLA
6	CUARZO UV	13	ESFERAS BIO	20	SOPORTE DE LA MANIJA	27	TORNILLO DE LA VARILLA
7	TUERCA CUARZO UV	14	CESTA PARA MATERIAL FILTRANTE	21	JUNTA TÓRICA DEL CONECTOR	28	DIAL DE CONTROL DE SALIDA



Por favor tenga en cuenta que la presión de su PFC depende de varios factores tales como la ubicación (altura y distancia desde su estanque), potencia y ubicación de la bomba conectada (L/A), profundidad del estanque, densidad de existencias y dimensiones de la manguera.

Para mejorar la calidad del agua del estanque, se recomienda considerar estos factores para garantizar la máxima eficiencia y evitar la presión de retorno baja.

Al ubicar el PFC asegúrese de situarlo por lo menos a dos metros de su estanque. El PFC se puede enterrar hasta el borde de la cabeza de la unidad. Asegúrese de que el acceso al cuerpo del sistema es posible para realizar el mantenimiento. Enterrar la unidad ayudará a reducir la distancia entre el filtro y el estanque y proporcionar una mayor presión del agua de retorno.

① Conecte los anexos requeridos

Elija los conectores requeridos (dependiendo de las dimensiones de la manguera flexible) y adjunte al PFC (utilizar tuerca y junta tórica de forma conjunta para sellar firmemente). En conectores escalonados, si utiliza una manguera más grande que la dimensión más pequeña, tendrá que recortar los conectores para evitar restringir el flujo de agua.

② Ubique el PFC

Ubique el PFC adyacente a su estanque (a 2 metros de distancia por lo menos). El PFC puede estar de pie o enterrado.

③ Conecte su manguera flexible al PFC

Conecte su manguera flexible a los conectores del PFC.

Conecte de manera segura utilizando abrazaderas inoxidable / de alambre para asegurar cierre hermético.

Su bomba (no incluida) debe ser adjuntada al 'Punto de Entrada de Agua'. El 'Punto de Salida de Agua' debe dirigir el agua nuevamente hacia el estanque o a una cascada junto al estanque.

④ Conecte el PFC a la red eléctrica (sin encender aún)

Conecte el PFC a la red eléctrica usando un interruptor diferencial (ID) - también llamado dispositivo diferencial residual (DDR) para mayor seguridad.

⑤ Encienda su bomba

Encienda su bomba y examine visualmente que haya el flujo de agua esperado a través del filtro PFC.

Compruebe visualmente que no haya pérdidas.

⑥ Encienda el PFC en la red eléctrica

Ahora que ha comprobado visualmente que al PFC se le está suministrando el flujo requerido de agua puede activar el funcionamiento UV activando la unidad a la red eléctrica.

FUNCIONAMIENTO UVC



- 1 Asegúrese siempre que haya agua circulando por el PFC antes de hacer funcionar el UV.
- 2 Nunca mire directamente a la luz UV cuando está en funcionamiento.
- 3 Compruebe que el UV está en funcionamiento utilizando visualmente el indicador UV (*pieza 1*).

MANTENIMIENTO

Se recomienda que cada dos semanas realice el proceso de “limpieza remover girando” para garantizar la continua eficacia del filtro. Dependiendo del volumen y niveles de existencias de su estanque, puede ser necesario realizar esto con mayor o menor frecuencia. Nuevamente, dependiendo de los factores antes mencionados usted querrá realizar una limpieza total y profunda de las espumas incluidas y del interior del cuerpo del filtro, 2-3 veces por año.

Por favor tenga presente que los números de pieza a continuación se muestran de la siguiente manera: (1/8): el primer número de pieza es para todos los modelos que no sean CPF-50000.

- 1 **Desconecte el PFC de la red eléctrica**
- 2 **Desconecte su bomba**
Desconecte la bomba y examine visualmente que el agua no fluya a través del filtro PFC.
- 3 **Conecte la manguera flexible al 'Punto Spin Clear (Remover Girando)'**
Conecte su manguera flexible al conector PFC 'Punto Spin Clear (Remover Girando)'. Conecte de manera segura utilizando abrazaderas inoxidable / de alambre para asegurar cierre hermético.
- 4 **Apunte sus residuos**
Apunte las aguas residuales de la manguera flexible del 'Punto Spin Clear (Remover Girando)' a un lugar adecuado. Apunte el 'Dial de Control de Salida' (28/32) hacia el 'Punto Spin Clear (Remover Girando)'.
- 5 **Encienda su bomba**
Encienda su bomba y examine visualmente que haya el flujo de agua esperado a través del filtro PFC.
Compruebe visualmente que no haya pérdidas.
- 6 **Adjunte la 'Manija Auto limpiante' y haga girar**
Conecte la 'Manija Auto limpiante' suministrada (18/3) a la parte superior del PFC. Haga girar la manija en cualquier dirección para girar y exprimir los residuos de las espumas del filtro.
- 7 **Regrese el PFC al funcionamiento normal**
Apunte la Perilla de Dirección del Agua hacia su 'Punto de Entrada de Agua' y 'Punto de Salida de Agua'. Compruebe visualmente que no haya pérdidas. Examine visualmente que haya el flujo de agua esperado a través del filtro PFC. Conecte el PFC a la red eléctrica.



Mantenimiento Limpieza Profunda

Toda la limpieza interna se debe hacer usando agua del estanque.

❶ Quite la tapa del PFC

Afloje el 'Broche de la Cabeza' (15/22) y quítelo.

Remueva la 'Tapa PFC' (8/18) tirando del PFC y colóquelo boca abajo sobre una superficie plana.

❷ Quite las esponjas del filtro

Desenrosque las piezas 10, 11/20, 21. Ahora usted puede quitar las esponjas de la 'Tapa PFC'.

❸ Limpie las esponjas filtrantes

Limpie las esponjas del filtro y vuélvalas a colocar.

Vuelva a adjuntar las piezas 10, 11/20, 21.

❹ Limpie el material filtrante biomecánico

Enjuague las 'Esferas Bio y material filtrante K' (13/25, 31) en la parte inferior del 'Cuerpo del Filtro' (17/30).

❺ Limpie el cuerpo y todos los anexos

❻ Vuelva a ensamblar

SOLUCIONAR PROBLEMAS

El indicador uv no se ilumina

Si el indicador UV no está iluminando, siga estos pasos para solucionar el problema:

- ❶ Desenrosque la cubierta de la cabeza UV (1) y quite la cubierta de cabeza UV con la lámpara UV (4/14) / cuarzo (6/16) adjuntos del PFC.
- ❷ Encienda el sistema sólo por unos pocos segundos y compruebe si puede ver que el UV está en funcionamiento (NO mire directamente al UV).
- ❸ Si el UV está funcionando, limpie el indicador UV.
Si encuentra que la luz UV sigue sin funcionar compruebe que haya energía desde la red eléctrica.
- ❹ Si hay energía desde la red eléctrica, intente sustituir la bombilla UV.
- ❺ Si encuentra que la luz UV sigue sin funcionar, es posible que el balasto UV esté averiado. Usted necesitará ponerse en contacto con el proveedor de su PFC para obtener piezas de repuesto.

Por favor, recuerde que las bombillas UV para uso en estanques deben ser reemplazadas cada 12 meses.

Si nada de lo anterior resuelve su problema, o necesita piezas de repuesto para su PFC, por favor póngase en contacto con el proveedor de su PFC.

ESPECIFICACIONES



MODELO	PFC-5000	PFC-8000	PFC-12000	PFC-20000	PFC-25000	PFC-30000	PFC-50000
POTENCIA UV (VATAJE)	11	11	11	18	36	55	55
DIMENSIONES (LARGO X ANCHO X ALTO) (mm)	310x310x405	380x380x410	380x380x520	380x380x730	450x450x550	450x450x715	600x600x815
VOLUMEN DEL CUERPO DEL FILTRO	16L	20L	25L	38L	50L	75L	170L
CAUDAL MÁXIMO (LITROS)	6000	9000	10000	10000	12000	12000	13000
ADAPTADOR MANGUERA ENTRADA / SALIDA	3/4" - 1 1/4"	3/4" - 1 1/2"			1 1/4" - 2"		
LONGITUD CABLE	5m (plug not included)						
VOLTAJE	220-240v / 50Hz						
ADECUADO PARA ESTANQUES CON							
SIN PECES (DECORATIVO)	<5000L	<8000L	<12000L	<20000L	<25000L	<30000L	<50000L
PEQUEÑO SURTIDO DE PECES / KOI	<3000L	<5000L	<9000L	<12000L	<20000L	<25000L	<35000L
GRAN CANTIDAD DE KOI	<1500L	<4000L	<6000L	<10000L	<15000L	<20000L	<28000L

GARANTÍA

Su sistema PFC viene con una garantía por 24 meses que cubre todas las piezas eléctricas.

Si necesita ayuda para la operación de su PFC, piezas de recambio o si su PFC tiene una avería durante el período de garantía, por favor póngase en contacto con el proveedor del PFC.

Por favor, tenga en cuenta que las piezas que abarcan bombillas, impulsores, ejes, imanes y cauchos no están cubiertas por la garantía y se puede requerir un pago para el reemplazo de las mismas.



Vielen Dank für den Kauf des PFC All Pond Solutions Druckfilter.

Sie finden in diesem Handbuch Informationen über die korrekte Einrichtung sowie zur sicheren Installierung Ihres PFCs.

SICHERHEIT

WICHTIG: Trennen Sie die Stromnetzversorgung vor jedem Installations- bzw. Wartungsversuch.

- Versuchen Sie nicht, dieses Gerät in irgendeiner Weise zu ändern und verwenden Sie nur empfohlene Ersatzteile.
- Schauen Sie während des Betriebs nicht direkt in das UV-Licht.
- Alle Verbindungen müssen geerdet sein.
- Verbinden Sie das Gerät nur an die angegebenen Spannungen.
- Nicht mit anderen Flüssigkeiten, außer Wasser, verwenden.
- Nicht mit Wasser einer Temperatur von über 90°F oder 30°C verwenden.
- Tragen Sie den Filter niemals am Netzkabel, sondern tragen Sie den Filter stets mit beiden Händen.
- Verwenden Sie nur zugelassene Originalteile.
- Stellen Sie sicher, dass der PFC mindesten 2 Meter vom Teichrand entfernt platziert wird.
- Stellen Sie sicher dass während der Wartung alle O-Ringe vorhanden und intakt sind.
- Stellen Sie vor dem Betrieb sicher, dass Wasser durch den PFC fließt - der UV benötigt konstanten Wasserfluss um Überhitzung zu vermeiden

Bitte beachten Sie:

Dieses Gerät kann verwendet werden, von Kindern im Alter von 8 Jahren und älter und Personen mit milden körperlichen, sensorischen oder geistigen Fähigkeiten oder Mangel an Erfahrung, wenn sie unter Aufsicht sind oder Anweisungen bezüglich der Verwendung des Gerätes auf eine sichere Weise erhalten haben und die involvierten Gefahren verstehen. Kinder sollten nicht mit dem Gerät spielen. Reinigung und Wartung sollte nicht durch Kinder ohne Aufsicht erfolgen.



Der PCF wird komplett mit einem großzügigen Angebot an 3 Hauptkabeln geliefert, falls jedoch etwaige zusätzliche Kabel erforderlich sein sollten, dann ist die Verwendung eines zugelassenen wasserdichten Kabelsteckers unerlässlich.

Bitte stellen Sie sicher:

- Das Netzteil muss geerdet und mit 3 Ampere gesichert sein.
- Verwenden Sie eine Fehlerstromschutzeinrichtung (RCD) für zusätzliche Sicherheit.
- Inspizieren Sie das Kabel regelmäßig auf Schäden und Verschlechterungen.
- Befolgen von Regeln der lokalen Energieversorgungsbehörden, wenn dauerhaft mit dem Hauptstromnetz verbunden.
- Ziehen Sie einen qualifizierten Elektriker zu Rate, wenn Sie Zweifel über irgendwelche Aspekte der Verkabelung haben.

PACKUNGSINHALT

PFC Filter, montiert x 1

PFC-5000 Befestigungen	PFC-8000/12000/20000 Befestigungen	PFC-25000/30000/50000 Befestigungen
Schlauchstücke x 3	Schlauchstück schwarz x 2	Schlauchstück klar x 3
Schlauchstücke x 3	Schlauchstück klar x 1	Schlauch-Mutter x 3
Schlauchstücke x 3	Schlauchhahn x 1	Schlauch O-Ringe x 3
Schlauch-Mutter x 3	Schlauch-Mutter x 4	Anleitungsbuch x 1
Schlauch O-Ringe x 3	Schlauch O-Ringe x 4	
Schlauch O-Ringe x 3	Anleitungsbuch x 1	
Anleitungsbuch x 1		

AUSFLUSS SYMBOLE



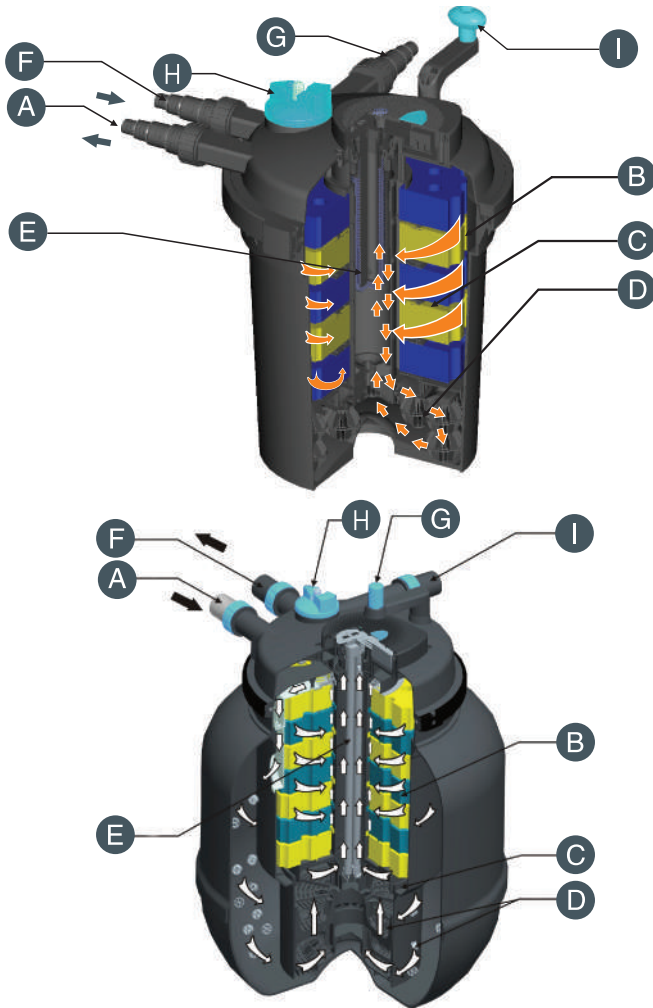
WASSERZUFUHR PUNKT



WASSERABFLUß PUNKT

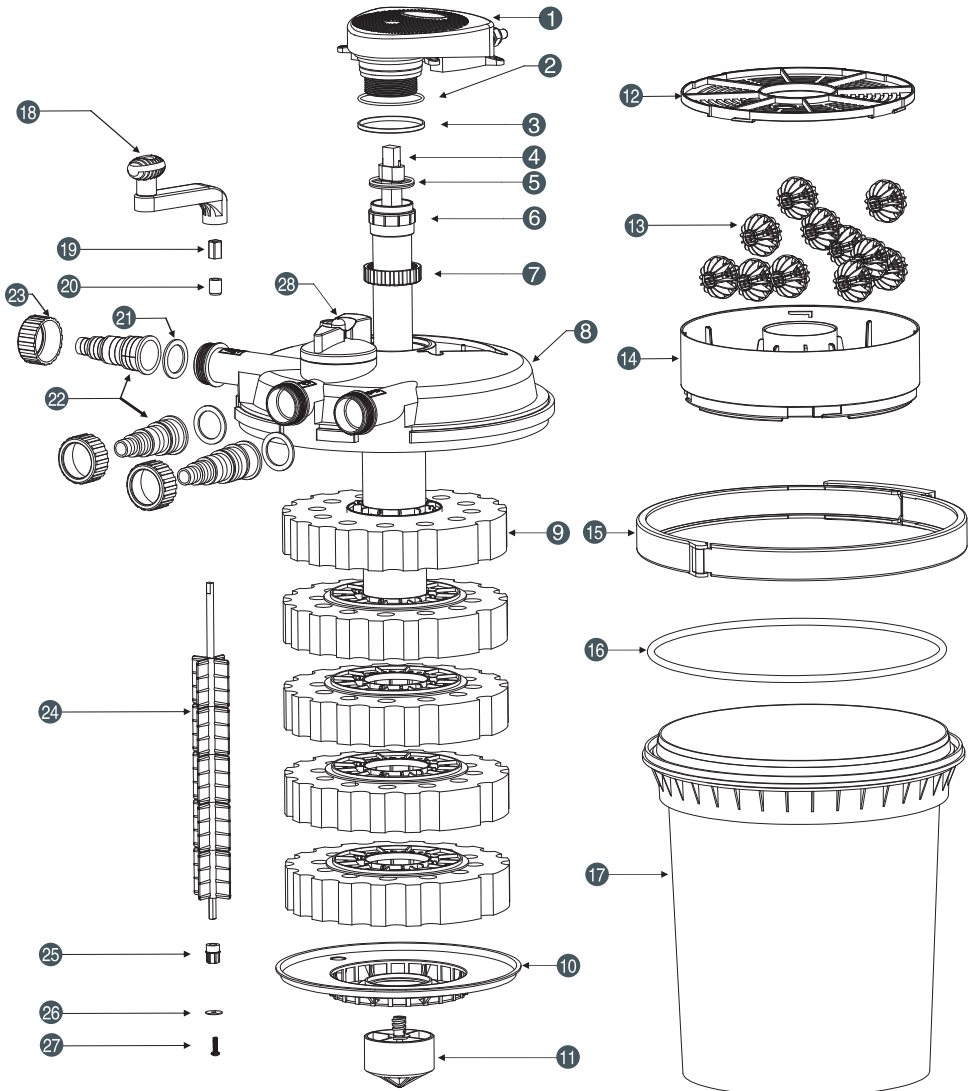


SELBSTREINIGUNGSPUNKT



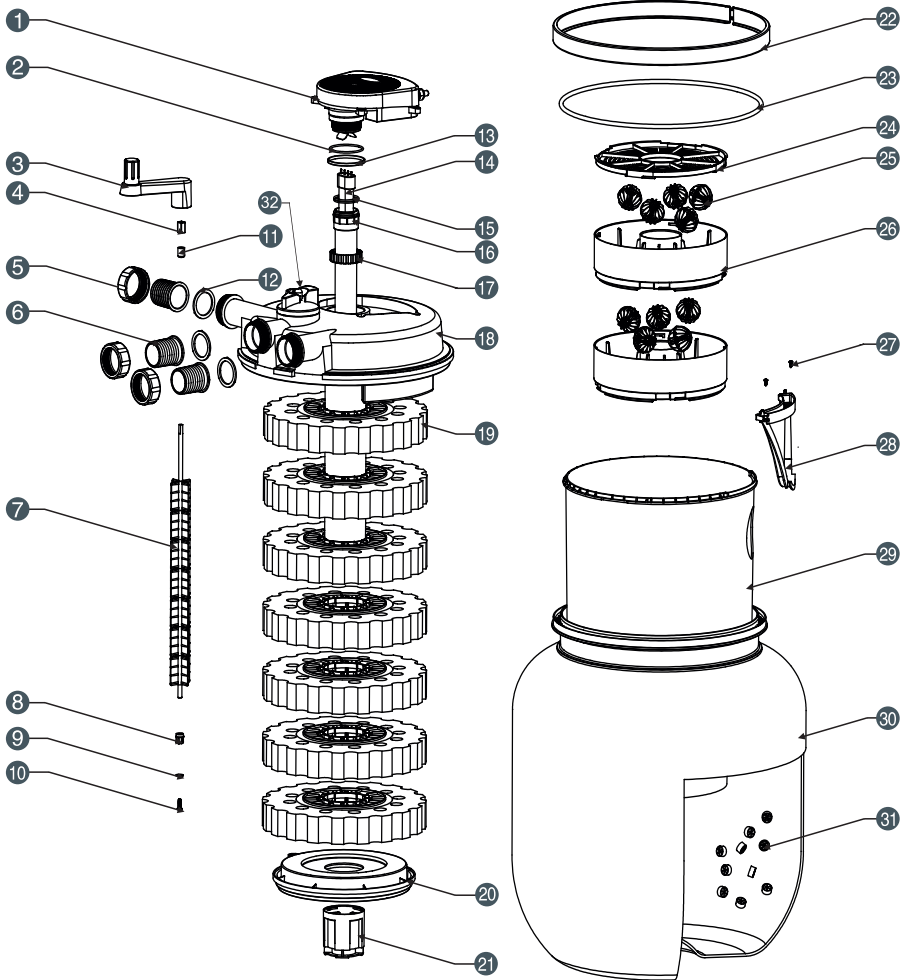
A	Wasserzufuhr Punkt – verbindet sich mit der Teichpumpe
B	Wirbelsystem – zentrifugale Wirkung gliedert schmutziges Wasser auf
C	Mechanische Filtration
D	Biologische Filtration
E	UV-Birne – Klärung/Sterilisation des Wassers
F	Wasserabfluß Punkt – verbindet sich mit Wasserrückfluß
G	Spin Clear Punkt – Wartung und Abwasserentsorgung
H	Wasserrichtungsknopf – schaltet zwischen normaler und Spin Clear Betrieb
I	Spin Clear Griff – dreht und presst den Filterschaum

TEILE DIAGRAMM



1	UV KOPF ABDECKUNG	8	PFC DECKEL	15	KOPFVERSCHLUSS	22	SCHLAUCHENDE
2	O-RING	9	SCHWÄMME	16	HAUPT KOPF O-RING	23	AUSGANG MUTTER
3	UV HÜLSE	10	FILTER PLATTE	17	PFC GEHÄUSE	24	AZEIGESTANGE
4	UV LAMPE	11	PLATTEN HALTER	18	GRIFFKNOPF	25	STANGENLAGERUNG
5	UV O-RING	12	MEDIA PLATTE	19	GRIFFWELLE	26	STANGENSCHIBE
6	UV QUARTZ	13	BIO BÄLLE	20	GRIFFLAGERUNG	27	STANGENMUTTER
7	UV QUARTZ MUTTER	14	MEDIA KORB	21	SCHLAUCHENDE O-RING	28	AUSGANGSDREHREGLER

TEILE DIAGRAMM PFC-5000



1	UV KOPF ABDECKUNG	9	STANGENSCHLEIFE	17	UV-QUARTZ MUTTER	25	BIO-BÄLLE
2	O-RING	10	STANGENMUTTER	18	PFC DECKEL	26	MEDIA KORB
3	GRIFFKNOFF	11	GRIFL LAGERUNG	19	SCHWÄMME	27	ABLEITER SCHRAUBE
4	GRIFFWELLE	12	SCHLAUCH O-RING	20	FILTER PLATTE	28	ABLEITER PLATTE
5	AUSGANG MUTTER	13	UV HÜLSE	21	PLATTEN HALTER	29	INTERNER CONTAINER
6	SCHLAUCHENDE	14	UV LAMPE	22	KOPFVERSCHLUSS	30	PFC-GEHÄUSE
7	ANZEIGESTANGE	15	UV O-RING	23	HAUPT KOPF O-RING	31	K-MEDIA
8	STANGENLAGERUNG	16	UV QUARTZ	24	MEDIA PLATTE	32	AUSFLUß DREHREGLER



Bitte beachten Sie, dass der Druck von Ihrem PFC von viele Faktoren wie Lage (Höhe und Entfernung zu Ihrem Teich), Strom und Position der angeschlossenen Pumpe (L/H), Teichtiefe, Besiedelungsdichte und Schlauchabmessungen abhängt. Zur Verbesserung der Teichwasserqualität empfehlen wir die Berücksichtigung dieser Faktoren, zur Gewährleistung von maximaler Effizienz und Vermeiden von Niederdruck (Rücklauf).

Beim Platzieren des PFC beachten Sie bitte einen Abstand von mindestens 2 Metern zu Ihrem Teich. Der PFC kann bis zum Rand des Gerätes eingegraben werden. Gewährleisten Sie den Zugriff auf den Systemkörper für Wartungszwecke. Vergraben des Gerätes hilft den Abstand zwischen dem Filter und dem Teich zu verringern und bietet höheren Wasserrücklaufdruck.

❶ Verbinden Sie die erforderlichen Befestigungen

Wählen Sie das notwendige Schlauchstück (abhängig der Abmessung Ihres flexiblen Schlauchs) und bringen Sie es an den PFC an (nutzen Sie Nuss und O-Ring zusammen für eine enge Versiegelung).

Bei abgesetzten Schlauchenden, wenn Sie einen Schlauch mit größerer als der kleinsten Abmessung verwenden, sollten Sie die Schlauchenden abschneiden um eine Beschränkung des Wasserflusses zu vermeiden.

❷ Positionieren Sie den PFC

Positionieren Sie den PFC angrenzend an Ihren Teich (mindestens 2 Meter entfernt). Der PFC kann aufgestellt oder vergraben werden.

❸ Raccordez votre tuyau flexible au PFC

Verbinden Sie Ihren flexiblen Schlauch an die Schlauchenden des PFC. Stellen Sie unter Verwendung von Schlauchschellen / Drahtseilklemmen eine sichere Verbindung her, um sicherzustellen das sie wasserdicht ist. Ihre Pumpe (nicht enthalten) sollte an den Wasserzufluss Punkt verbunden sein.

Die Wasserablaufstelle sollte Wasser entweder zurück in Ihren Teich oder zu einem Wasserfall, angrenzend an den Teich, lenken.

Stellen Sie den Wasserrichtungsknopf auf Ihren 'Wasserzufluss Punkt' und 'Wasserablauf Punkt'.

❹ Verbinden Sie den PFC an die Hauptstromversorgung

Verbinden Sie den PFC an das Hauptstromnetz unter Verwendung einer Fehlerstrom-Schutzeinrichtung (RCD) für zusätzliche Sicherheit.

❺ Schalten Sie Ihre Pumpe ein

Schalten Sie Ihre Pumpe ein und vergewissern Sie sich, dass Sie den notwendigen Wasserdurchfluss durch den PFC-Filter haben. Vergewissern Sie sich, dass keine Leckagen vorhanden sind.

❻ Schalten Sie den PFC am Hauptschalter an

Nachdem Sie sich vergewissert haben, dass dem PFC die notwendige Wasserzufuhr geliefert wird, können Sie den UV-Betrieb aufdrehen, in dem Sie das Gerät am Netzschalter einschalten.



- 1 Stellen Sie sicher, dass Wasser durch den PFC fließt, bevor Sie den UV in Betrieb nehmen.
- 2 Schauen Sie nie direkt in das UV-Licht während des Betriebs.
- 3 Überprüfen Sie, anhand der UV-Anzeige, ob der UV betriebsbereit ist (*Teil 1*)

WARTUNG

Es wird empfohlen, alle zwei Wochen, den 'Spin Clear Reinigungs-' Prozess durchzuführen, um die anhaltende Wirksamkeit des Filters zu gewährleisten. Je nach Teichvolumen und Beständen, muss dies möglicherweise mehr oder weniger oft durchgeführt werden.

Abhängig von den oben genannten Faktoren, sollten Sie 2 -3 Mal pro Jahr eine vollständige Tiefenreinigung der enthaltenen Schaumstoffe und des Inneren des Filterkörpers durchführen.

Bitte beachten Sie, dass die Ersatzteilnummern unten wie folgt angezeigt werden: (1/8) – die erste Teilenummer gilt für alle Modelle außer dem CPF-50000, die zweite Teilenummer gilt für den CPF-50000.

- 1 **Schalten Sie den PFC am Netzschalter ein**
- 2 **Stellen Sie Ihre Pumpe ab** Stellen Sie Ihre Pumpe ab und vergewissern Sie sich, dass kein Wasserdurchfluss durch den PFC-Filter vorhanden ist.
- 3 **Verbinden Sie den flexiblen Schlauch zum 'Spin Clear Punkt'**
Verbinden Sie Ihren flexiblen Schlauch an das PFC-'Spin Clear Punkt' Schlauchende. Stellen Sie unter Verwendung von Schlauchschellen / Drahtseilklemmen eine sichere Verbindung her, um sicherzustellen dass sie wasserdicht ist.
- 4 **Richten Sie Ihren Abfluss ein** Richten Sie den 'Spin Clear Punkt' des flexiblen Schlauchs für Abflusswasser auf eine geeignete Position. Richten Sie den 'Ausfluss Drehregler' (28/32) in die Richtung des 'Spin Clear Punkts'.
- 5 **Schalten Sie Ihre Pumpe aus** Schalten Sie Ihre Pumpe an und stellen Sie sicher, Sie haben den notwendigen Wasserfluss durch den PFC-Filter.
- 6 Vergewissern Sie sich, dass es keine Leckagen gibt.
Befestigen Sie den 'Selbstreinigungsgriff' und Spin Clear
Befestigen Sie den mitgelieferten Selbstreinigungsgriff (18/3) oberhalb des PFC. Drehen Sie den Griff in eine beliebige Richtung, um Wasser aus
- 7 Ihrem Filter-Schaum zu drehen und zu pressen.
Bringen Sie den PFC auf den normalen Betrieb zurück
Richten Sie den Wasserrichtungsknopf auf Ihren Wasserzuflusspunkt und Wasserabflusspunkt. Vergewissern Sie sich dass es keine Leckagen gibt. Überprüfen Sie, dass Sie den notwendigen Wasserfluss in Ihrem PFC-Filter haben. Schalten Sie den PFC an der Hauptstromversorgung an.

Tiefenreinigung



Jegliche Innenreinigung sollte mit Teichwasser vorgenommen werden, direkt aus dem Teich.

① Entfernen Sie den PFC-Deckel

Lockern und entfernen Sie die Kopf-Spange (15/22).

Ziehen Sie den 'PFC-Deckel' (8/18) von dem PFC und legen Sie diesen kopfüber auf eine flache Oberfläche.

② Entfernen Sie die Filter-Schwämme

Schrauben Sie die Teile 10, 11/20, 21 ab. Sie können jetzt die Filter-Schwämme aus dem 'PFC-Deckel' entfernen.

③ Reinigen Sie die Filter-Schwämme

Reinigen Sie die Filter-Schwämme und ersetzen Sie diese.

Befestigen Sie die Teile 10, 11/20, 21 erneut

④ Reinigen Sie die biomechanischen Medien

Spülen Sie durch Ihre 'Bio-Bälle und K-Medien' (13/25, 31) im unteren Teil des Filter-Körpers (17/30).

⑤ Reinigen Sie den Körper und alle Befestigungen

⑥ Setzen Sie alles wieder zusammen

FEHLERBEHEBUNG

UV ANZEIGE LEUCHTET NICHT

Wenn die UV-Anzeige nicht aufleuchtet, folgen Sie diesen Problembehebungsschritten:

- ① Schrauben Sie die UV-Kopfabdeckung ab (1) und ziehen Sie die UV-Kopfabdeckung mit der UV-Lampe (4/14) / Quarz (6/16) angeschlossen, von dem PFC ab.
- ② Schalten Sie das System für ein paar Sekunden ein und überprüfen Sie, ob Sie sehen können, dass der UV arbeitet (Schauen Sie NICHT direkt in die UV). Wenn die UV betriebsbereit ist, reinigen Sie die UV-Anzeige.
- ③ Wenn Sie feststellen, dass das UV-Licht noch nicht funktionsfähig ist, prüfen Sie die Netzstromzufuhr.
- ④ Wenn Sie keinen Netzstrom haben, sollten Sie die UV-Birne austauschen.
- ⑤ Wenn Sie feststellen, dass das UV-Licht noch stets nicht betriebsbereit ist, dann könnte es sein, dass das UV-Vorschaltgerät einen Fehler entwickelt hat, dann wenden Sie sich zum Erhalt von Ersatzteilen, an den Lieferanten Ihres PFC. Bitte bedenken Sie, dass UV Lampen, für den Einsatz in Teichen, alle 12 Monate ersetzt werden sollten.

Wenn keiner der obigen Tipps hilft Ihr Problem zu lösen, oder Sie Ersatzteile für Ihren PFC benötigen, kontaktieren Sie bitte den Anbieter Ihres PFC.

TECHNISCHE DATEN



MODEL	PFC-5000	PFC-8000	PFC-12000	PFC-20000	PFC-25000	PFC-30000	PFC-50000
UV STROM (WATTZAHL)	11	11	11	18	36	55	55
ABMESSUNGEN (L x B x H) (mm)	310x310x405	380x380x410	380x380x520	380x380x730	450x450x550	450x450x715	600x600x815
FILTERKÖRPER-VOLUMEN	16L	20L	25L	38L	50L	75L	170L
MAX. FLIESSRATE (LITER)	6000	9000	10000	10000	12000	12000	13000
INLET/OUTLET SCHLAUCH ADAPTOR	3/4" - 1 1/4"	3/4" - 1 1/2"			1 1/4" - 2"		
KABELLÄNGE	5m (plug not included)						
VOLT	220-240v / 50Hz						
GEEIGNET FÜR TEICHE OHNE							
FISCH (DEKORATIVE)	<5000L	<8000L	<12000L	<20000L	<25000L	<30000L	<50000L
KLEINE MISCHUNG FISCHE/KOI	<3000L	<5000L	<9000L	<12000L	<20000L	<25000L	<35000L
DICHTBESIEDELTE KOI	<1500L	<4000L	<6000L	<10000L	<15000L	<20000L	<28000L

GEWÄHRLEISTUNG

Ihr PFC-System wird mit einer 24-Monate-Gewährleistung, die alle elektrischen Teile umfasst geliefert. Falls Sie Unterstützung für den Betrieb Ihres PFC oder Ersatzteile benötigen, oder falls Ihr PFC einen Defekt während der Gewährleistungsperiode entwickelt, kontaktieren Sie bitte den Lieferanten des PFC. Bitte beachten Sie, dass Teile einschließlich Lampen, Laufräder, Wellen, Magnete und Gummi-Beläge nicht unter die Gewährleistung fallen und eine Gebühr für Ersatz dieser Teile berechnet werden kann.



www.allpondsolutions.co.uk

All Pet Solutions Limited Trading as All Pond Solutions
Unit 203 Riverside Way, Uxbridge, Middlesex,
England, UB8 2YF