



AllPondSolutions®

POND BIOLOGICAL BOX FILTER

BF- 6000 / BF- 6000 KIT



Thank you for purchasing the BF-6000 All Pond Solutions box filter. You will find in this manual details of how to set up your BF-6000 correctly as well as how to install the BF-6000 safely.

SAFETY

Important! Disconnect the mains electricity supply before attempting installation / maintenance of any kind.

- Do not attempt to modify this unit in any way and only use the recommended parts for replacement
- Do not look directly at the UV light when operational
- All connections must be earthed
- Do not connect to any voltage other than that stated
- Do not use with any liquids other than water
- Do not use with water above 90F or 30C
- Never carry the filter using the power cable, always handle the filter with both hands
- Only use genuine approved parts
- During maintenance ensure all o-rings are present and intact
- Before operating the BF-6000 observe that water is flowing through it – UV requires constant flow to avoid overheating

Please note:

This appliance can be used by children aged from 8 years and above and persons with reduced physical, sensory or mental capabilities or lack of experience and knowledge if they have been given supervision or instruction concerning use of the appliance in a safe way and understand the hazards involved. Children should not play with the appliance. Cleaning and user maintenance should not be carried out by children without supervision.

ELECTRIC

The BF-6000 comes complete with a generous supply of 3 core cable, however, should any additional cable be required then the use of an approved waterproof cable connector is essential.

Please ensure:

- The power supply must be earthed and fused at 3amps
- The use of a residual current device (RCD) for additional safety
- Regularly inspect the cable for damage and deterioration
- Compliance with Local Electricity Authority regulations if permanently installing to the mains supply
- Consult a qualified electrician if in doubt about any aspects of wiring

BOX CONTENTS

BF-6000	BF-6000-KIT
BF-6000 assembled filter x 1 (Includes media)	BF-6000-KIT assembled filter x 1 (Includes 9w UV & media)
Inlet hoesetail x 1	ECO-2300PP pump x 1
Instruction booklet x 1	Flexible hose 20mm x 3m
	Hosetails x 4
	Hosetail nut x 3
	Hosetail o-ring x 3
	Jubilee clips x 2
	Instruction booklet x 1

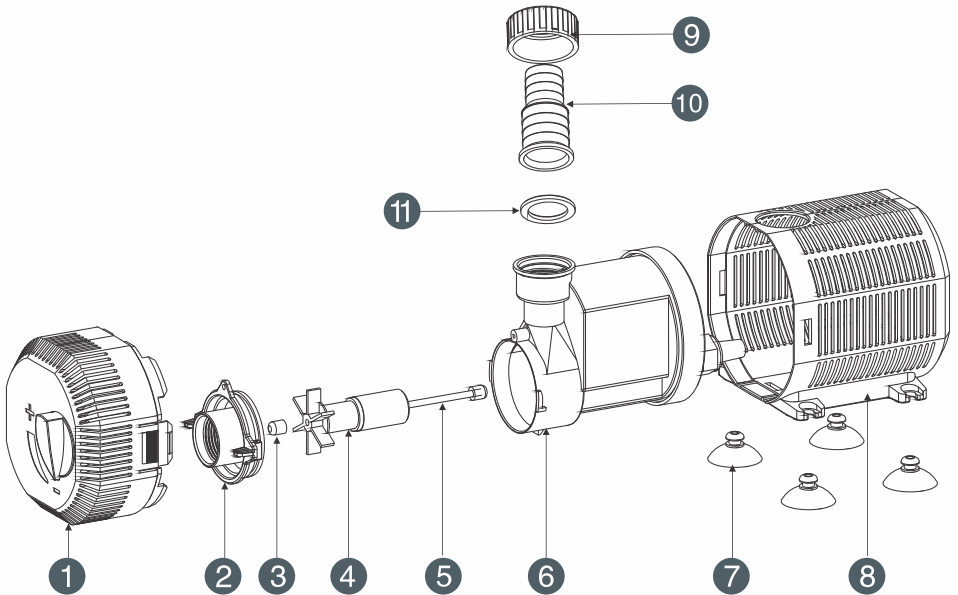
SUITABLE FOR

Decorative ponds up to 6000 Litres

Ponds with a small mix of fish up to 4500 Litres

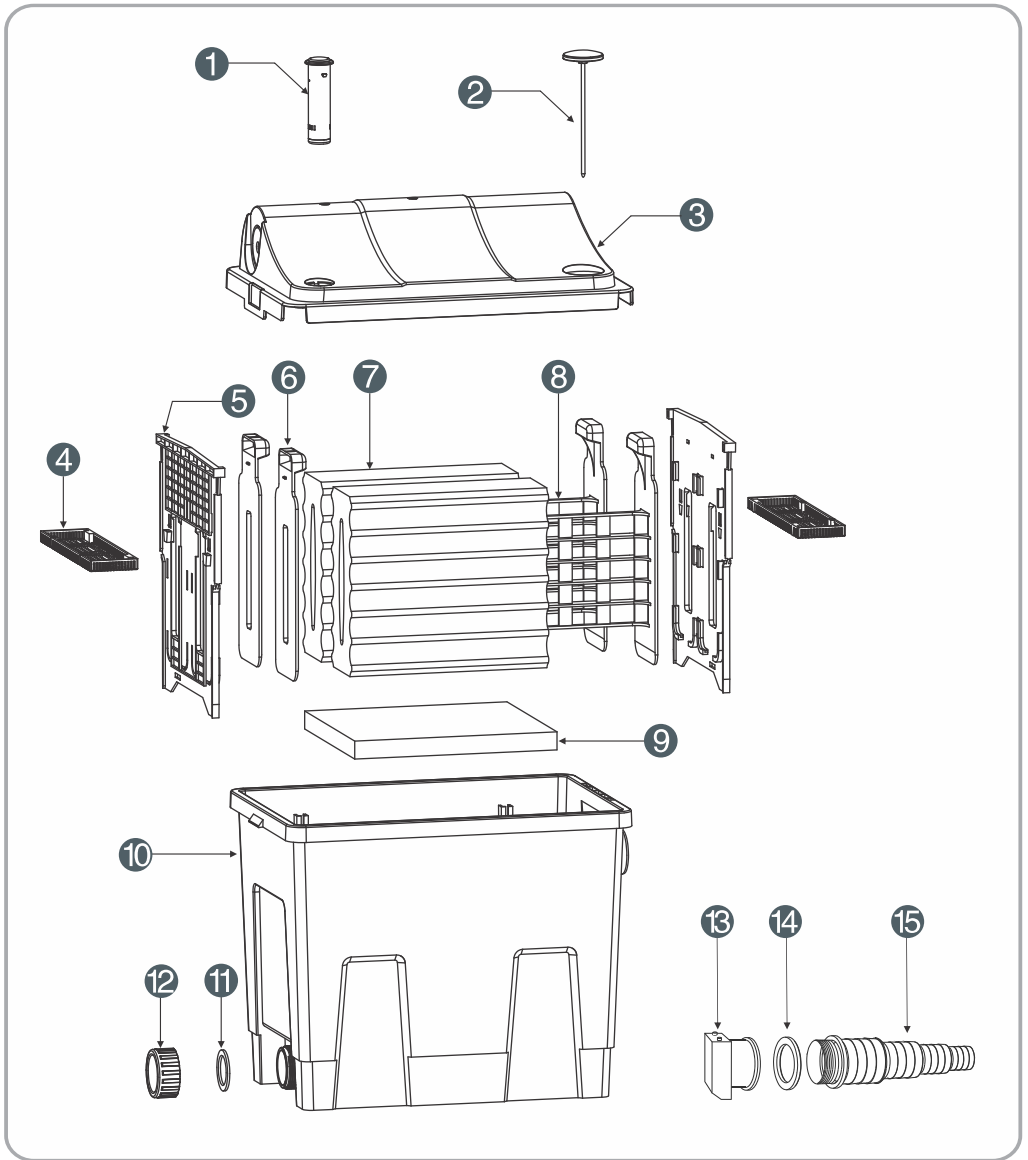
Ponds with a small mix of koi up to 3000 Litres

ECO-2300PP PARTS LIST (only included with KIT model)



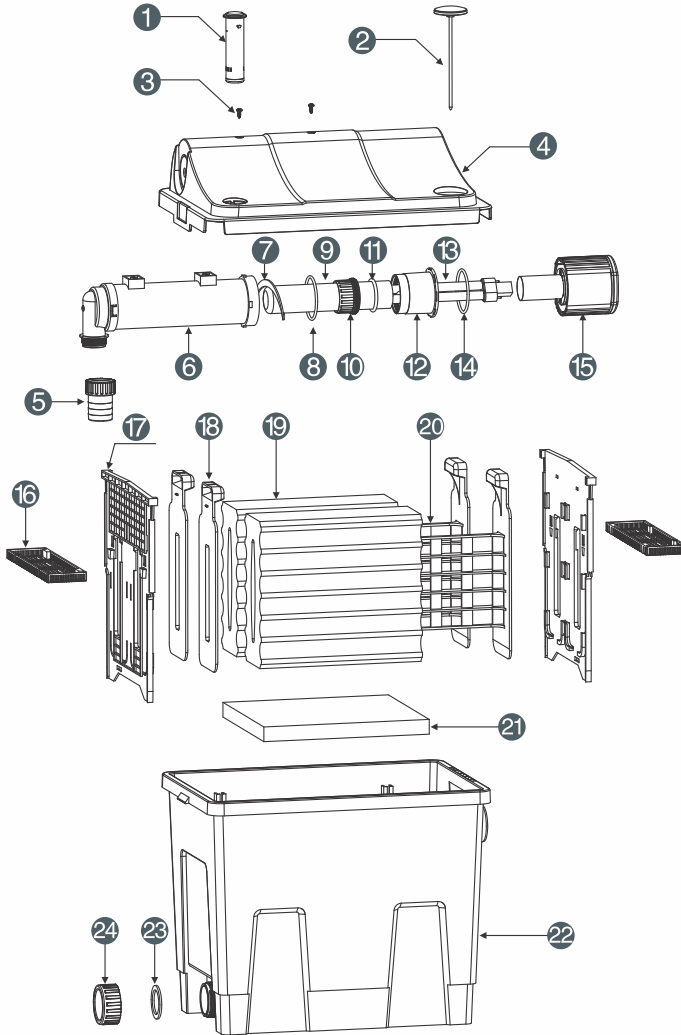
1	FRONT CASING	7	SUCTION CUPS
2	IMPELLER COVER	8	REAR CASING
3	RUBBER END CAP	9	OUTLET NUT
4	IMPELLER	10	OUTLET HOSETAIL
5	SHAFT	11	HOSETAIL O-RING
6	MOTOR		

BF-6000 PARTS LIST



1	DIRTY WATER INDICATOR	6	FOAM CONNECTOR	11	WASTE OUTLET O-RING
2	THERMOMETER	7	FOAM	12	WASTE OUTLET NUT
3	HOOD	8	FOAM HOLDER	13	WATER FLOW INLET
4	DIVIDER TRAY	9	JAPANESE MATTING	14	HOSETAIL O-RING
5	DIVIDER	10	BODY	15	INLET HOSETAIL

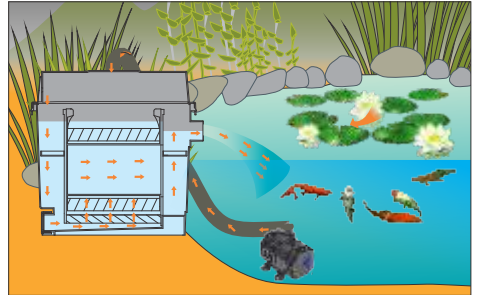
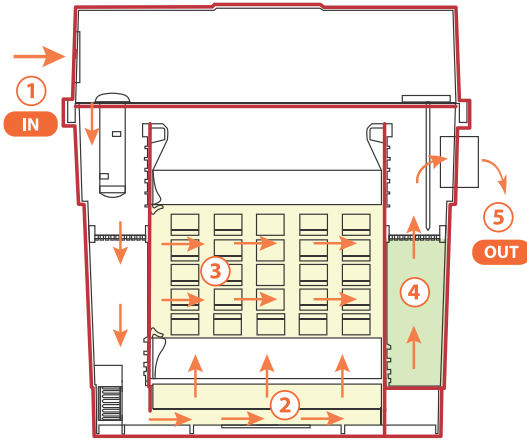
BF-6000-KIT PARTS LIST



1	DIRTY WATER INDICATOR	9	UV QUARTZ	17	DIVIDER
2	THERMOMETER	10	QUARTZ NUT	18	FOAM CONNECTOR
3	SCREWS	11	QUARTZ O-RING	19	FOAM
4	HOOD	12	QUARTZ SLEEVE	20	FOAM HOLDER
5	UV OUTLET	13	UV BULB	21	JAPANESE MATTING
6	UV BODY	14	BALLAST O-RING	22	BODY
7	UV HELIX	15	UV BALLAST	23	WASTE OUTLET O-RING
8	O-RING	16	DIVIDER TRAY	24	WASTE OUTLET NUT

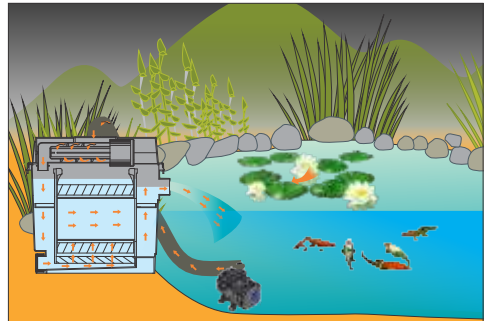
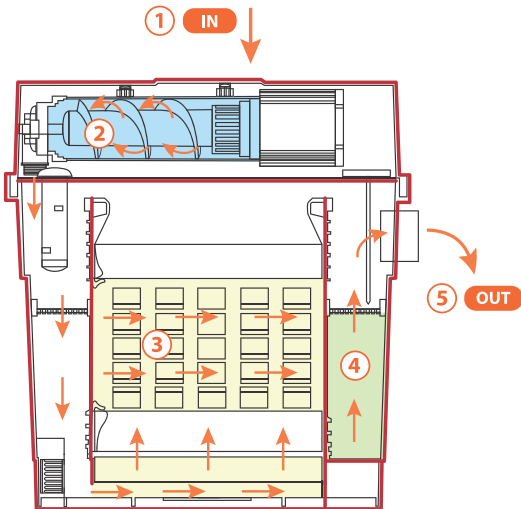
OPERATION

BF-6000-OPERATION



- 1 WATER INLET
- 2 JAPANESE MATTING
- 3 FOAMS
- 4 BIO BALLS
- 5 WATER OUTLET

BF-6000-KIT OPERATION



- 1 WATER INLET
- 2 UV STERILISATION
- 3 FOAMS / JAPANESE MATTING
- 4 BIO BALLS
- 5 WATER OUTLET

BF-6000 INSTALLATION AND USE

① Connect the inlet attachments (parts 13, 14 & 15)

Depending on the dimensions of your flexible hose you may want to cut the hosetail down to avoid restricting the flow of water.

② Position the BF-6000

Position the BF-6000 adjacent to your pond out of direct sunlight.

Keep in mind when deciding where to position the BF-6000, the distance from the pond of the filter.

The BF-6000 outlet should direct water either directly back into your pond or to a waterfall (or other feature) adjacent to the pond.

③ Connect your flexible hose to the BF-6000

Connect your flexible hose to the BF-6000 inlet hosetail

Safely connect using either jubilee or wire clips to ensure it is water tight.

Your pump (not included) should be attached to the flexible hose connected to the inlet hosetail.

④ Switch on your pump

Switch on your pump and visually inspect that you have the expected water flow through the BF-6000 and there is no leakage.



BF-6000-KIT INSTALLATION AND USE

❶ Attach flexible hose to the ECO-2300PP

Attach the included flexible hose to the ECO-2300PP using the included 20mm hosetail and jubilee clip.

❷ Position the ECO-2300PP

Place the ECO-2300PP in your pond on a slightly raised flat surface.

❸ Attach flexible hose to the BF-6000-KIT

Attach the opposite end of the flexible hose to the BF-6000 UV water inlet using the included 20mm hosetail and jubilee clip.

❹ Position the BF-6000-KIT

Position the BF-6000-KIT adjacent to your pond out of direct sunlight. Keep in mind when deciding where to position the BF-6000 filter, the UV cable length and the distance from the pond of the filter. The BF-6000 outlet should direct water either directly back into your pond or to a waterfall (or other feature) adjacent to the pond.

❺ Connect the BF-6000-KIT UV and ECO-2300PP to the mains

Connect the BF-6000 UV steriliser to the mains using a residual current device (RCD) for additional safety.

❻ Switch on the ECO-2300PP

Switch on your pump and visually inspect that you have the expected water flow through the BF-6000-KIT and there is no leakage.

❼ Switch on the BF-6000-KIT UV steriliser

Now you have visually checked that the BF-6000-KIT is being supplied with the required flow of water, you can turn on the UV operation by switching the unit on at the mains.



MAINTENANCE

It is recommended that every 3-4 weeks you rinse your pond foams and equipment thoroughly (using pond water) to ensure the continued effectiveness of the filter.

Depending on your pond volume and stock levels, this may need to be completed more or less often.

- 1 Switch off the BF-6000 UV steriliser at the mains (KIT model only)**
Always turn off the UV before the pump whilst carrying out maintenance to avoid the UV running whilst dry and potentially overheating.
- 2 Switch off your ECO-2300PP or other pump**
Switch off your pump and visually inspect that you have no water flow through the BF-6000.
- 3 Drain the waste water from the BF-6000 body**
Unscrew the BF-6000 waste outlet nut and drain the waste water from the BF-6000 body.
If you want to drain the waste water to an alternative location you will need to either add pipe to the waste outlet or move the box physically.
- 4 Clean the BF-6000 body, foam media and parts**
Clean out your foam media using pond water only.
Perform general cleaning on all equipment also using pond water.
Open the waste outlet and discard any further waste water.
- 5 Replace all media and parts**
Replace all parts and filter media.
- 6 Switch on the ECO-2300PP or other pump**
Switch on your pump and visually inspect that you have the expected water flow through the BF-6000 and there is no leakage.
- 7 Switch on the BF-6000 UV**
Now that you have visually checked that the BF-6000 is being supplied with the required flow of water you can turn on the UV operation by switching the unit on at the mains.

UV MAINTENANCE

To ensure long term optimal performance it is recommended that every 3-6 months you remove and thoroughly clean the UV quartz glass tube. When replacing the UV quartz glass tube ensure that all o-rings are replaced in their original positions.

The performance of the UV bulb will deteriorate over time and it is recommended that this is changed at least every 12 months.

TROUBLESHOOTING

UV light indicator not lighting up

- 1 If the UV indicator on side of the filter head is not lighting up, switch off at the mains and remove the UV bulb from the BF-6000 UV steriliser.
- 2 Visually inspect the bulb to check that no filaments have broken inside the UV bulb.
- 3 Re-insert the UV bulb, ensuring that it is seated correctly inside the UV steriliser and re-assemble. Switch on at the mains to test.
- 4 If the UV indicator is still not lighting up it is recommended to try a new UV bulb.
- 5 If the UV indicator still does not light up with a new UV bulb inserted, we recommend you contact the supplier of the BF-6000.

UV Quartz tube has water ingress

- 1 Open the UV steriliser and check that the UV quartz glass has no signs of damage / cracks.
- 2 Check that all o-rings related to the UV steriliser and quartz glass are in place and show no signs of damage.
- 3 If any o-rings show any signs of damage, replace with new o-rings.

The BF-6000 is overflowing

- 1 Perform the maintenance procedure to ensure that no blockages have occurred within the BF-6000 filter causing the filter to overflow.
- 2 If your pump has a variable flow rate, check to see if this has been set too high.

If none of the above resolves your issue, or you require spare parts for your BF-6000 please contact the supplier of your system.

BF-6000 SPECIFICATIONS

MODEL	BF-6000
WATER OUTLET SIZE	45/50mm (internal / external)
WASTE OUTLET SIZE	38/48mm (internal / external - threaded)
INLET SIZE	20/25/32/38mm
DIMENSIONS (H x W x L)	400 x 275 x 400mm

BF-6000 / UV SPECIFICATIONS

MODEL	BF-6000-KIT
WATER OUTLET SIZE	45/50mm (internal / external)
WASTE OUTLET SIZE	38/48mm (internal / external - threaded)
UV POWER	9w
HOSE SIZE	20mm x 3m
UV CABLE	5m approx.
DIMENSIONS (H x W x L)	400 x 275 x 400mm

ECO-2300PP SPECIFICATIONS (only included with KIT model)

MODEL	ECO-2300PP
OUTPUT	2300L/H
POWER	35W
VOLTAGE	220-240V/50Hz
H-MAX	2m
WEIGHT	1.8kg
PUMP CABLE	10m approx.

WARRANTY

Your BF-6000 system comes with 12 months warranty that covers all electrical parts.

If you require support for operation of your BF-6000, replacement parts or if your BF-6000 develops a fault during the warranty period, please contact the supplier of the BF-6000 filter.

Please be aware that parts including bulbs, impellers, shafts, magnets and rubbers are not covered by your warranty and a charge may be required for replacements of these.