



FOUNTAIN ECO POND PUMP

FPP-600 / 900
/ 1500 / 2000
/ 3000



PERFECT FOR SMALL TO MEDIUM
SIZED PONDS

FOUNTAIN HEADS INCLUDED

ADJUSTABLE FOUNTAIN HEIGHT

ADJUSTABLE FLOW RATE

To ensure your new pond pump is set up and running correctly, and to prevent any accidental damage or injury, please read and follow the below instructions carefully before using your product.

SAFETY

IMPORTANT! Disconnect the mains electricity supply before attempting any installation / maintenance of any kind. Do not attempt to modify this unit in any way and only use the recommended parts for replacement.

- The FPP pond pump should never be run dry as this will cause the unit to overheat and cause permanent damage.
- All connections must be earthed.
- The power cord of this appliance cannot be replaced; if the cord is damaged, the appliance should be discarded. Never cut the cord.
- Do not connect to any voltage other than that stated.
- Do not place in liquids other than water.
- Do not use with water above 90°F or 30°C.
- Do not carry or pull the unit by its electrical cable.
- Do not use this unit if it has a damaged cord, if it is malfunctioning or it is dropped or damaged in any manner
- Do not attempt to modify this unit in any way and only use attachments and the recommended parts for replacement recommended by the manufacturer.
- Before installing, maintaining or handling your equipment, or before placing your hands in your pond, ensure that the unit is disconnected from the electricity supply.
- Always disconnect any electrical devices when not in use.
- To avoid injury, do not touch hot or moving parts such as, but not limited to UV bulbs or impellers.
- During maintenance ensure all O-rings are present and intact.

- If the appliance shows any signs of water leakage or the RCD unit switches off, disconnect the unit from the power supply and consult the retailer where you purchased the unit.
- Do not install or store this unit where it will be exposed to temperatures near to 0°C / 32°F. In freezing conditions, remove and store the unit in a sheltered area ensuring all water has been drained from it.
- Do not bury the cord for this unit. Ensure it does not cause a trip hazard or it at risk from damage from lawn mowers, strimmers or other garden equipment.
- This is a submersible product - do not operate the product if not fully submerged.

Please note – this appliance can be used by children aged from 8 years and above and persons with reduced physical, sensory or mental capabilities or lack of experience and knowledge, provided they are given supervision and instruction concerning use of the appliance and understand the hazards involved. Children must not play with the appliance. Any maintenance must not be made by children without supervision.

ELECTRIC

This unit comes complete with a generous supply of 3 core cable, however should any additional cable be required, the use of an approved waterproof cable connector with a proper rating is essential. A cord rated for less amperes or watts than the appliance rating may overheat.

Please Ensure:

- The power supply must be earthed and fused at 3amps.
- You regularly inspect the cable for damage and deterioration.
- Do not connect to any voltage other than that stated.
- You consult a qualified electrician if in doubt about any aspects of wiring.
- A residential current device (RCD) is used for additional safety
- You have complied with Local Electricity Authority regulations if permanently installing to the mains supply.

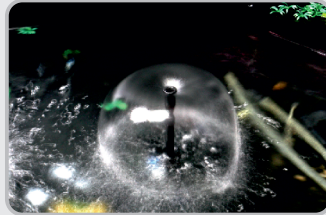
Please Ensure: The power supply must be earthed and fused at 3amps. Regularly inspect the cable for damage and deterioration. Consult a qualified electrician if in doubt about any aspects of wiring.

INSTALLATION & USE

The All Pond Solutions FPP pump range is designed to be used with the included fountain kit as a standalone system within a pond but can be used to circulate water, pump to and from a separate filtration system or water features using suitable flexible hose (flexible hosing sold separately).

Please read the below instructions carefully before beginning to set up your pump. **DO NOT CONNECT THE UNIT TO THE MAINS UNTIL SET UP IS COMPLETE AND UNIT IS FILLED WITH WATER.**

1. Connect the required attachments - Choose the required attachments. Depending on the model you can choose between 3-4 different fountain styles.



2. Position the unit - fully submerge your FPP unit. Place it on a level and sturdy surface at the bottom of your pond, this is to avoid silt entering the pump causing excessive wear and increasing pump guard cleaning.

3. Adjust the fountain head - make sure it is above surface of the pond. Adjust the extendable pipe until desired height has been achieved.

Adjust the flow rate by turning the flow adjuster clockwise to increase it and anti-clockwise to reduce it.

Adjust ball joint to compensate for an uneven pond floor if necessary.

IMPORTANT! Ensure that the pump's fountain does not empty water out of pond.

4. Connect your FPP pump to the mains - Connect the unit to the mains using a residual current device (RCD) for additional safety.

5. Switch on your unit at the mains - turn on the operation by switching on the unit at the mains.

MAINTENANCE

To ensure optimal performance and that your unit functions correctly, regular maintenance is essential. Failure to do so may result in damage to your unit and may invalidate your warranty.

We recommend that a regular cleaning and maintenance schedule is followed to ensure responsible fishkeeping. Depending on water volume and stocking levels, regular cleaning of the impeller and inlet/outlet pipework will help ensure that the product works efficiently and your pond remains healthy.

For further maintenance guidance, please see the table and additional information below:

	1 MONTH	3 MONTHS	6 MONTHS	ANNUALLY
All Pipework	Clean & Inspect			
Hosing				Clean & Inspect
O-Rings	Clean & Inspect	Lubricate & Clean		Replace

O-rings

It is vital that O-rings are regularly inspected and replaced as the rubber watertight seal will perish over time, which may cause your unit to leak. Before replacing your o-rings, ensure they are well lubricated to ensure the seal is kept water tight.

Pump Maintenance

IMPORTANT! Failure to carry out routine maintenance and/or leaving the pump with reduced/no flow rate for long periods will result in a shorter pump life and will invalidate the warranty.

It is recommended to disconnect your pump and clean the impeller and pipework monthly. Pipework will become blocked with waste and protein slime over time, so regular cleaning is important for optimal performance.

The frequency of how often you will need to clean and inspect your unit of course will depend on a lot of factors like how dirty the water is when you first start using your pump, your pond volume and also how many fish you have. How often you feed your fish and seasonal light levels will also affect how quickly your pond water gets dirty and will need to be taken into consideration when planning how often to clean your FPP unit.

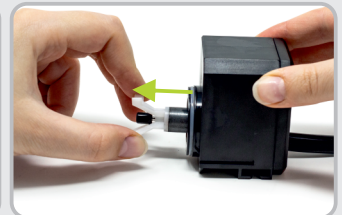
Main filter housing - firmly pull pump guard from pump motor.



Impeller - remove the base plate from the unit by sliding it off away from the pump's body. The impeller can be accessed by removing the impeller cover by turning it anti-clockwise to release lock.

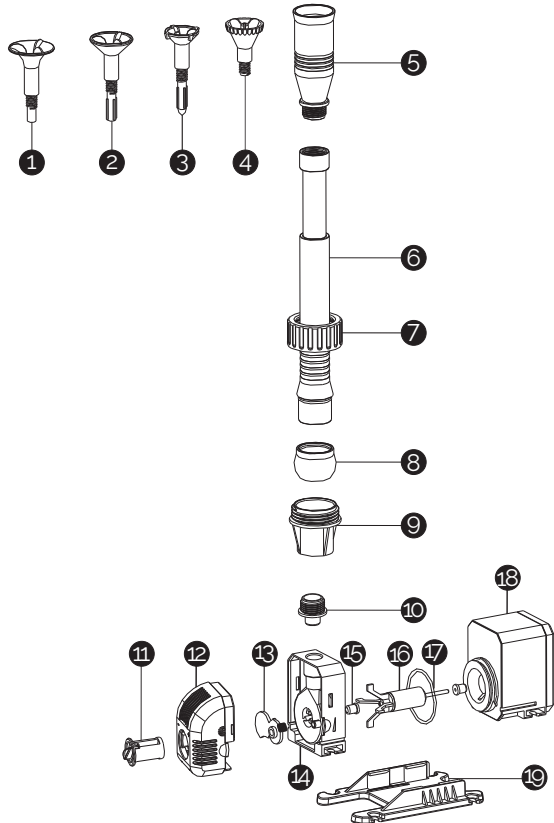
The impeller can then be gently pulled away from the housing and inspected.

Ensure that the plastic propeller part of the impeller is attached to the magnetic part and that they have not come apart or split. If this is the case you need to replace your impeller. Wash parts with fresh water carefully.



PARTS DIAGRAM

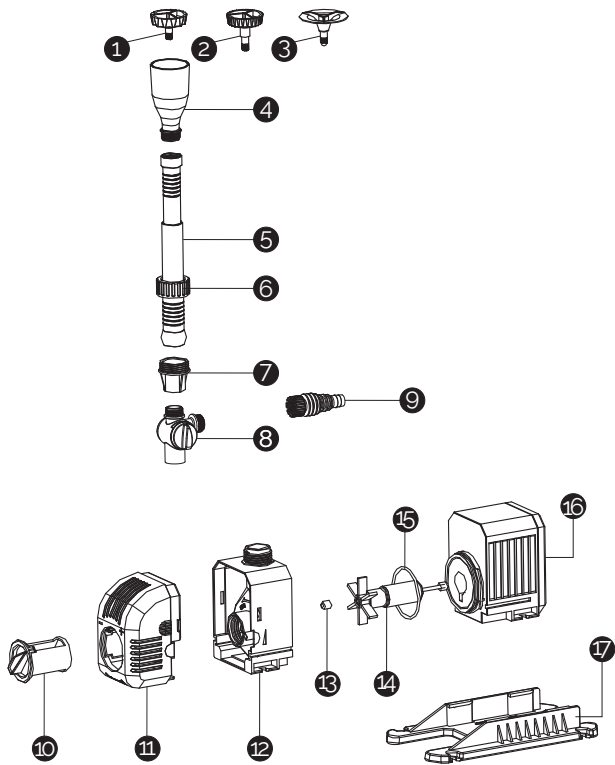
FPP-600



1	FOUNTAIN HEAD 1	9	CONNECTOR	17	O-RING
2	FOUNTAIN HEAD 2	10	CONNECTOR	18	PUMP MOTOR
3	FOUNTAIN HEAD 3	11	FLOW RATE ADJUSTER	19	BASE PLATE
4	FOUNTAIN HEAD 4	12	PUMP GUARD		
5	FOUNTAIN NOZZLE	13	ADJUSTER		
6	EXTENDABLE PIPE	14	PUMP HOUSING		
7	FOUNTAIN NUT	15	SHAFT RUBBER		
8	REVOLVING CONNECTOR	16	IMPELLER AND SHAFT		

PARTS DIAGRAM

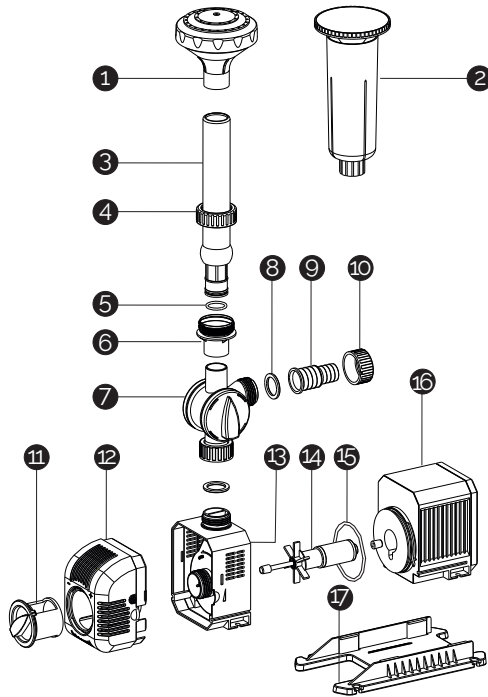
FPP-900 / 1500



1	FOUNTAIN HEAD 1	7	CONNECTOR	13	SHAFT RUBBER
2	FOUNTAIN HEAD 2	8	T CONNECTOR	14	IMPELLER AND SHAFT
3	FOUNTAIN HEAD 3	9	HOSetail	15	PUMP O-RING
4	FOUNTAIN NOZZLE	10	FLOW RATE ADJUSTER	16	PUMP MOTOR
5	EXTENDABLE PIPE	11	PUMP GUARD	17	BASE PLATE
6	FOUNTAIN NUT	12	PUMPHOUSING		

PARTS DIAGRAM

FPP-2000 / 3000



1	BLOSSOM NOZZLE FOUNTAIN HEAD
2	WATER BELL FOUNTAIN HEAD
3	EXTENDABLE PIPE
4	FOUNTAIN NUT
5	FOUNTAIN O-RING
6	REVOLVING CONNECTOR
7	CONNECTOR
8	HOSETAIL O-RING

9	HOSETAIL
10	OUTLET NUT
11	FLOW RATE ADJUSTER
12	PUMP GUARD
13	PUMP HOUSING
14	IMPELLER AND SHAFT
15	O-RING
16	PUMP MOTOR
17	PLATE BASE

TROUBLESHOOTING

Slow Flow Rate

- 1.** For optimum function of the unit, we highly recommend the pump is positioned on a brick, so it is not resting directly on the bottom on the pond. This is to prevent large clumps of debris blocking the inlets and restricting the flow.
- 2.** Follow the maintenance section. Ensure pipe work is not blocked, leaking or is laid so that it gets crushed or kinked.
- 3.** Locate the impeller and shaft in the pump and inspect for damage and clear the fittings and parts of any waste build-up.
- 4.** The higher the head (the height that water is to be pumped from the water surface) the lower the flow rate and the more wear on the pump so try to keep it to a minimum.
- 5.** Ensure that the plastic propeller part of the impeller is attached to the magnetic part and that they have not come apart or split. If these parts looks fine and there are two rubber grommets fitted on each end of the shaft, or already inside the fittings, then re-assemble the unit.

No Flow From Pump

- 1.** Check power supply is on.
- 2.** Check fuse and cable for any damage.
- 3.** Follow the slow flow rate guide (see above) and keep any hose fittings to a minimum. This helps to remove frictional loss of flow and so increases pump flow rates.

Poor Fountain Performance

- 1. Reduced height** - extend the fountain attachment.
- 2. Lime scale / waste build up** - clean flow adjusters and fountain head.
- 3. Waste blockage** - remember to keep your unit raised slightly above the floor level in your pond to help reduce the waste pulling through the filter.

My Unit is Cutting Out

1. For optimum function of the unit, we highly recommend the pump is positioned on a brick, so it is not resting directly on the bottom on the pond. This is to prevent large clumps of debris blocking the inlets and restricting the flow.
2. Ensure that all O-rings are in place and well lubricated.
3. Locate the impeller and shaft in the pump and inspect for damage and clear the fittings and parts of any waste build-up.
4. Ensure that the plastic propeller part of the impeller is attached to the magnetic part and that they have not come apart or split. If these parts looks fine and there are two rubber grommets fitted on each end of the shaft, or already inside the fittings, then re-assemble the unit.

If none of the above resolves your issue, or you require spare parts for your pump, please contact the supplier of your unit.

SPECIFICATIONS

MODEL:	FPP-600	FPP-900	FPP-1500
MAX HEIGHT (cm)	130	150	180
MAX FLOW RATE:	600 L/H	900 L/H	1500 L/H
DIMENSIONS (LxWxH) (mm):	105 x 66 x 475	150 x 77 x 485	150 x 85 x 490
OUTLET FITS:	12 & 16mm FLEXIBLE HOSE	12 & 16mm FLEXIBLE HOSE	12, 16 & 20mm FLEXIBLE HOSE
WATTAGE:	8w	20w	25w
CABLE LENGTH:	10m (Plug not included)	10m (Plug not included)	10m (Plug not included)
VOLTAGE:	220-240V	220-240V	220-240V

MODEL:	FPP-2000	FPP-3000
MAX HEIGHT (cm)	200	300
MAX FLOW RATE:	2000 L/H	3000 L/H
DIMENSIONS (LxWxH) (mm):	160 x 90 x 615	180 x 100 x 620
OUTLET FITS:	20 & 25mm FLEXIBLE HOSE	20 & 25mm FLEXIBLE HOSE
WATTAGE:	35w	55w
CABLE LENGTH:	10m (Plug not included)	10m (Plug not included)
VOLTAGE:	220-240V	220-240V

WARRANTY

The All Pond Solutions FPP pump range is guaranteed against defects in material or workmanship under normal pond usage and comes with 24 months warranty for all electrical parts. The warranty period commences from the date of purchase.

If you require support on how to use your unit, replacement parts or if your pump develops a fault during the warranty period, please contact the supplier of your unit.

Non-replaceable, non-perishable and non-serviceable parts will be repaired or replaced free of charge, once the unit is returned with all components along with a valid proof of purchase and postage paid. We reserve the right to replace or repair the unit at our discretion.

Please be aware that perishable parts that are subject to normal wear and tear, such as impellers, impeller covers and motor seals are not covered by your warranty and a charge may be required for replacements of these.

This warranty does not apply to any unit that has been subjected to misuse, accidental damage, negligence, tampering or customisation. It does not apply to units which have been assembled incorrectly, improperly maintained, or where the instructions and safety information in this manual has not been followed correctly.

No liability is assumed with respect to loss or damage to livestock or personal property irrespective of the cause thereof.

Please ensure that only genuine All Pond Solutions components are used when completing a replacement or repair. Spare parts are available at our official website or from your local supplier.

Before returning your unit under warranty terms, check that all setup and maintenance instructions have been correctly followed. If you are in doubt, please contact your local aquatic retailer for further advice before returning the product.

This does not affect your statutory rights.



www.allpondsolutions.co.uk

All Pet Solutions Limited Trading as All Pond Solutions
Unit 203 Riverside Way, Uxbridge, Middlesex,
England, UB8 2YF